



Ventilated Facade Systems for Cladding Materials

Technical brochure

EVT II Helping Hand Brackets

EVT II & EVT Aluminium L-Brackets

EVT II Stainless L Brackets

EVT II Al. & Stainless U Brackets

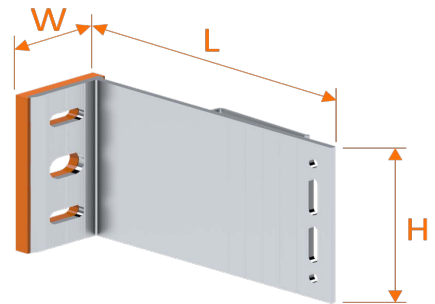
EVT II Horizontal Adaptor

EVT II Aluminium Soffit L Brackets

EVT II - Aluminium FPH & SPH, for Concrete and SFS Standard L Brackets

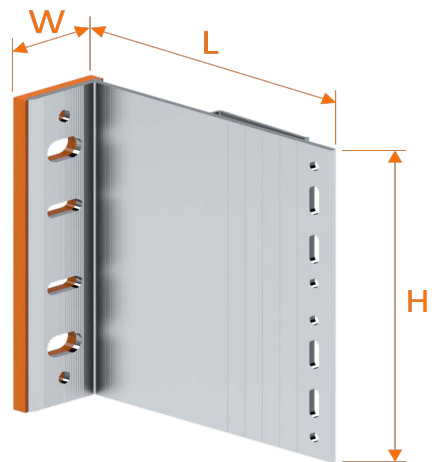
Fixing brackets					Suitable Thermo pads
Code	Type	H (mm)	W (mm)	L (mm)	Type
130170	single	80	42	40	130530 Single
130171	single	80	42	60	
130172	single	80	42	80	
130173	single	80	42	100	
130174	single	80	42	120	
130175	single	80	42	140	
130176	single	80	42	160	
130177	single	80	42	180	
130178	single	80	42	200	
130179	single	80	42	220	
130180	single	80	42	240	
130181	single	80	42	260	
130182	single	80	42	280	
130183	single	80	42	300	
130184	single	80	42	320	

Single fixing bracket



Fixing brackets					Suitable Thermo pads
Code	Type	H (mm)	W (mm)	L (mm)	Type
130185	double	160	42	40	130531 Double
130186	double	160	42	60	
130187	double	160	42	80	
130188	double	160	42	100	
130189	double	160	42	120	
130190	double	160	42	140	
130191	double	160	42	160	
130192	double	160	42	180	
130193	double	160	42	200	
130194	double	160	42	220	
130195	double	160	42	240	
130195	double	160	42	260	
130197	double	160	42	280	
130198	double	160	42	300	
130199	double	160	42	320	

Double fixing bracket



EVT II fixing brackets allow to set the distance of the cladding material from the substrate from a minimum 47mm up to maximum 362mm when used in conjunction with the 60x40x2 mm L-Profile (including thermopad)

EVT II L-Brackets, Aluminium Performance Table

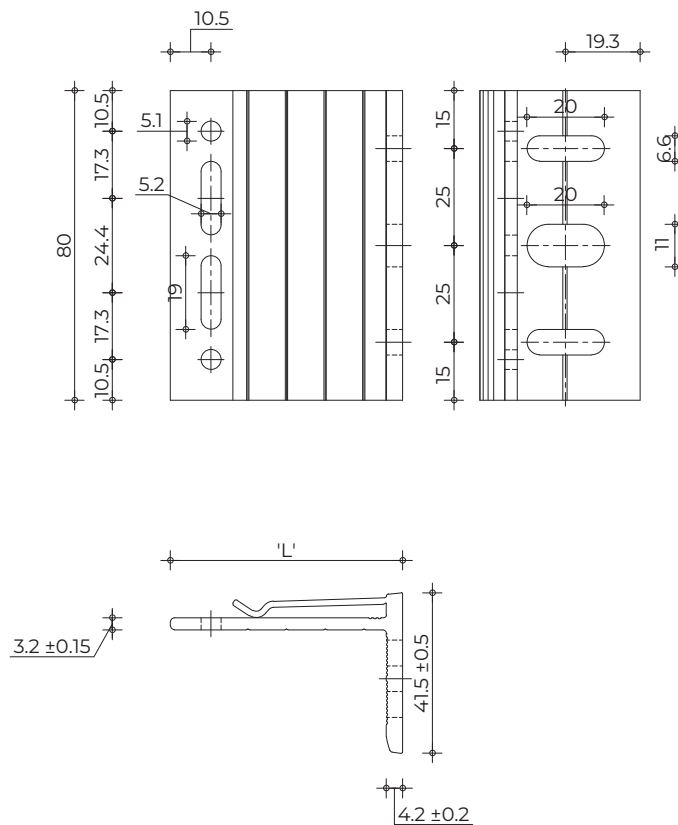
The performance characteristics of all EVT II fixing brackets are tested in laboratory conditions for the worst-case scenario. The aim of the test is to determine the dead load and wind capacity of the brackets and their fixings to the subframe under tension and shear loads.

Summary of results from testing of EVT II L-brackets, Aluminium

Code	Type	Size(mm)	Material	Base	Design Resistance (kN)	
					Vertical (kN)	Horizontal (kN)
130170	single	42x40x80	aluminium	concrete/sfs	5.06	2.75
130171	single	42x60x80	aluminium	concrete/sfs	3.53	2.75
130172	single	42x80x80	aluminium	concrete/sfs	1.87	1.95
130173	single	42x100x80	aluminium	concrete/sfs	1.69	2.04
130174	single	42x120x80	aluminium	concrete/sfs	1.28	2.09
130175	single	42x140x80	aluminium	concrete/sfs	1.06	2.04
130176	single	42x160x80	aluminium	concrete/sfs	0.96	1.95
130177	single	42x180x80	aluminium	concrete/sfs	1.18	2.00
130178	single	42x200x80	aluminium	concrete/sfs	1.07	2.00
130179	single	42x220x80	aluminium	concrete/sfs	0.85	2.00
130180	single	42x240x80	aluminium	concrete/sfs	0.88	1.95
130181	single	42x260x80	aluminium	concrete/sfs	0.81	2.00
130182	single	42x280x80	aluminium	concrete/sfs	0.66	2.01
130183	single	42x300x80	aluminium	concrete/sfs	0.68	1.94
130184	single	42x320x80	aluminium	concrete/sfs	0.64	1.94
130185	double	42x40x160	aluminium	concrete/sfs	10.12	6.00
130186	double	42x60x160	aluminium	concrete/sfs	9.57	4.54
130187	double	42x80x160	aluminium	concrete/sfs	6.70	3.77
130188	double	42x100x160	aluminium	concrete/sfs	4.91	3.77
130189	double	42x120x160	aluminium	concrete/sfs	4.12	3.77
130190	double	42x140x160	aluminium	concrete/sfs	3.46	3.77
130191	double	42x160x160	aluminium	concrete/sfs	3.00	3.77
130192	double	42x180x160	aluminium	concrete/sfs	2.75	3.81
130193	double	42x200x160	aluminium	concrete/sfs	2.59	3.81
130194	double	42x220x160	aluminium	concrete/sfs	2.39	4.02
130195	double	42x240x160	aluminium	concrete/sfs	2.06	3.81
130195	double	42x260x160	aluminium	concrete/sfs	1.99	3.81
130197	double	42x280x160	aluminium	concrete/sfs	1.75	3.81
130198	double	42x300x160	aluminium	concrete/sfs	1.62	3.81
130199	double	42x320x160	aluminium	concrete/sfs	1.42	3.81

EVT II - L-Brackets, Aluminium

Single bracket, Lengths 40-60mm



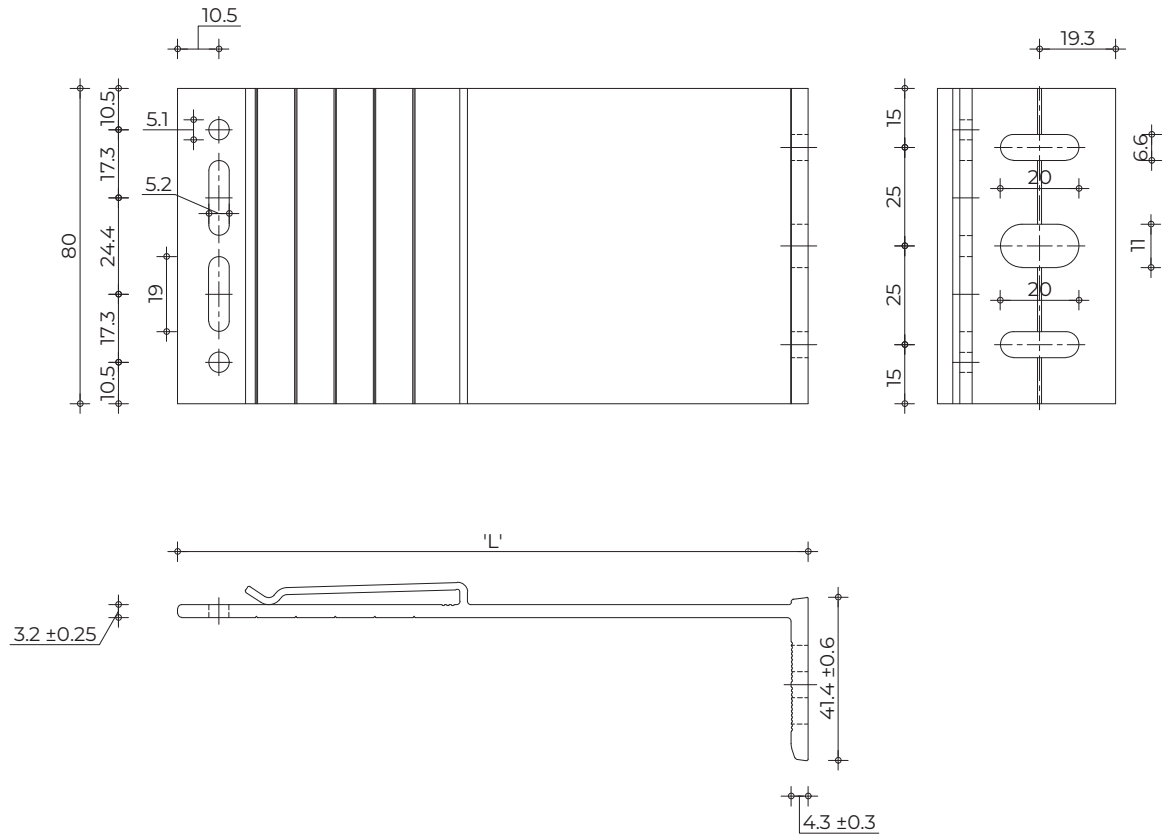
Suitable for concrete, masonry, steel and timber

Item	Material
L-Bracket	Aluminium - EN AW 6063 T6

L =
40mm
60mm

EVT II - L-Brackets, Aluminium

Single bracket, Lengths 80-260mm



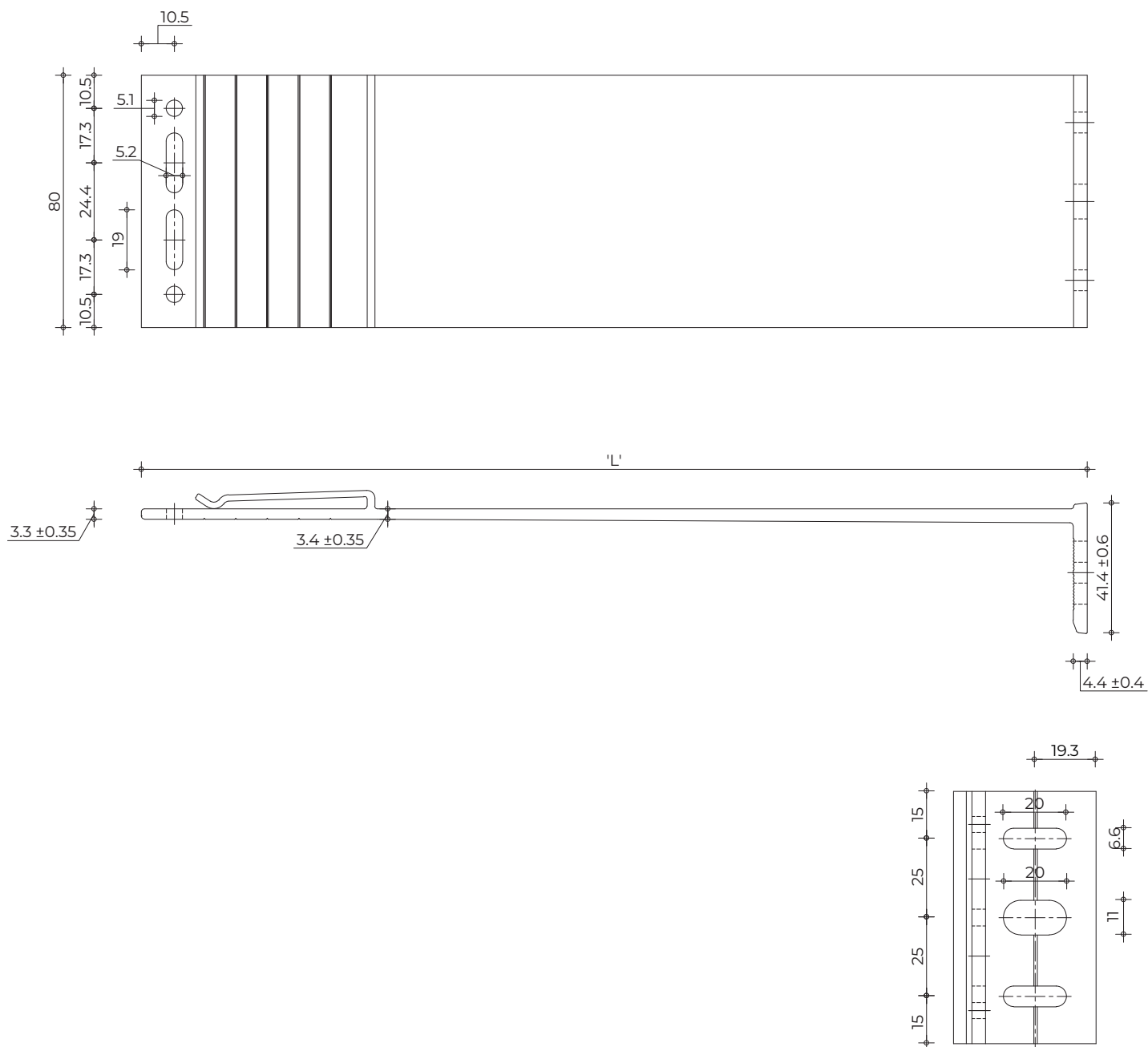
Suitable for concrete, masonry, steel and timber

Item	Material
L-Bracket	Aluminium - EN AW 6063 T6

L =
80mm
100mm
120mm
140mm
160mm
180mm
200mm
220mm
240mm
260mm

EVT II - L-Brackets, Aluminium

Single bracket, Lengths 280-320mm



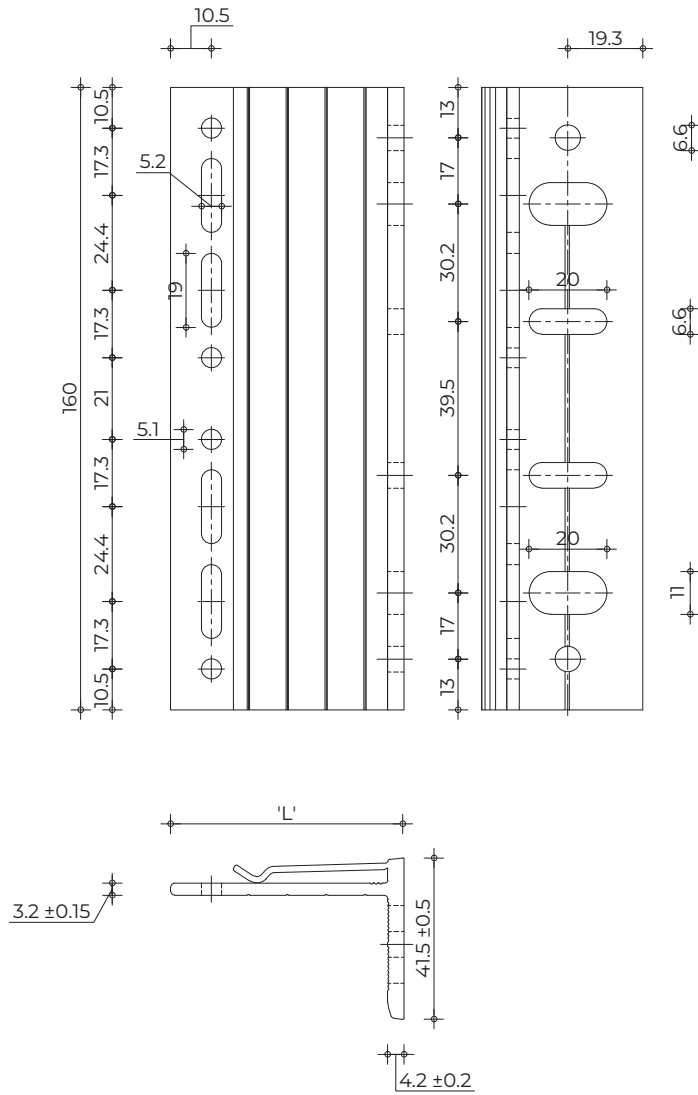
Suitable for concrete, masonry, steel and timber

Item	Material
L-Bracket	Aluminium - EN AW 6063 T6

L =
280mm
300mm
320mm

EVT II - L-Brackets, Aluminium

Double bracket, Lengths 40-60mm



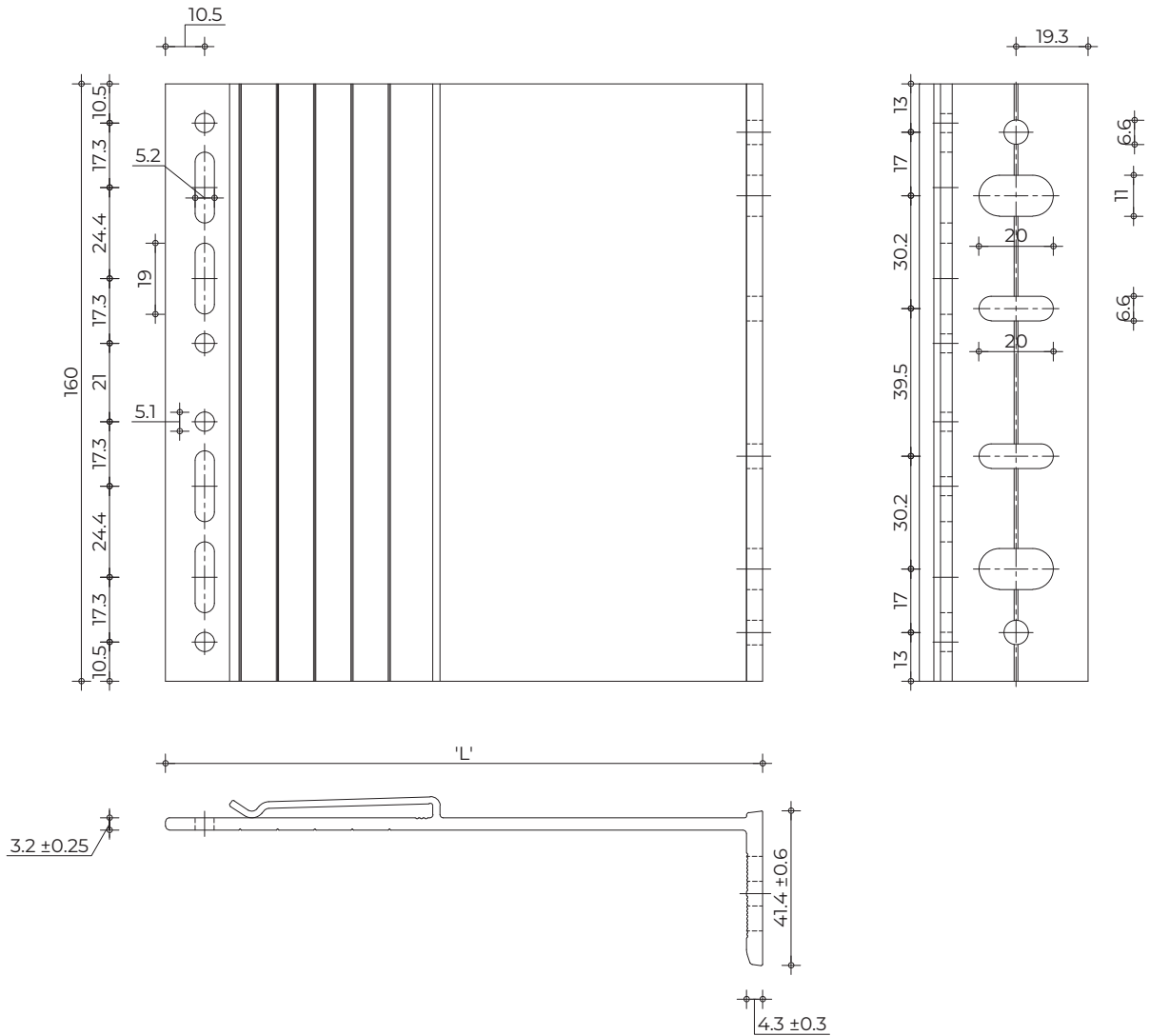
Suitable for concrete, masonry, steel and timber

Item	Material
L-Bracket	Aluminium - EN AW 6063 T6

L =
40mm
60mm

EVT II - L-Brackets, Aluminium

Double bracket, Lengths 80-260mm



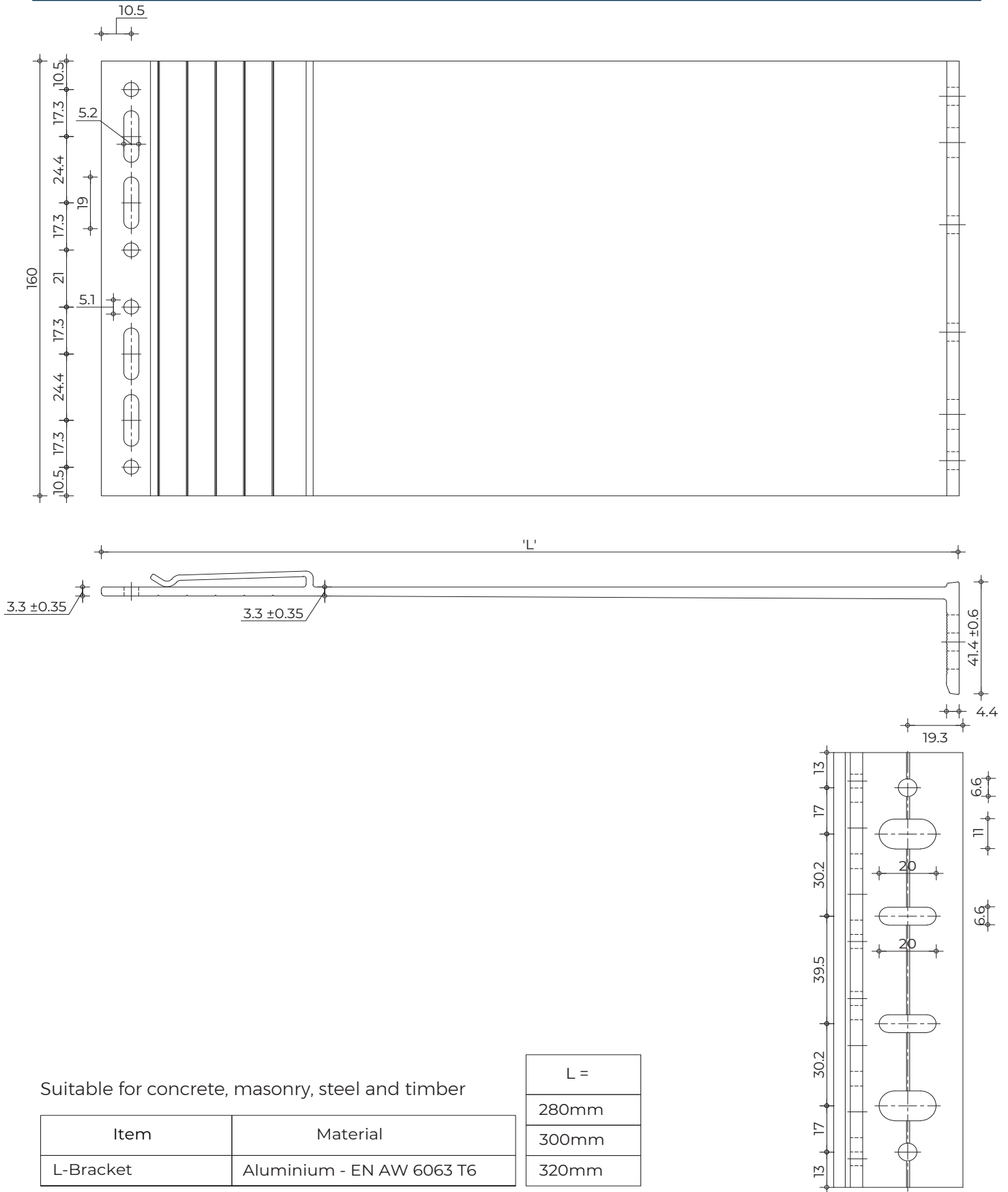
Suitable for concrete, masonry, steel and timber

Item	Material
L-Bracket	Aluminium - EN AW 6063 T6

L =
80mm
100mm
120mm
140mm
160mm
180mm
200mm
220mm
240mm
260mm

EVT II - L-Brackets, Aluminium

Double bracket, Lengths 280-320mm



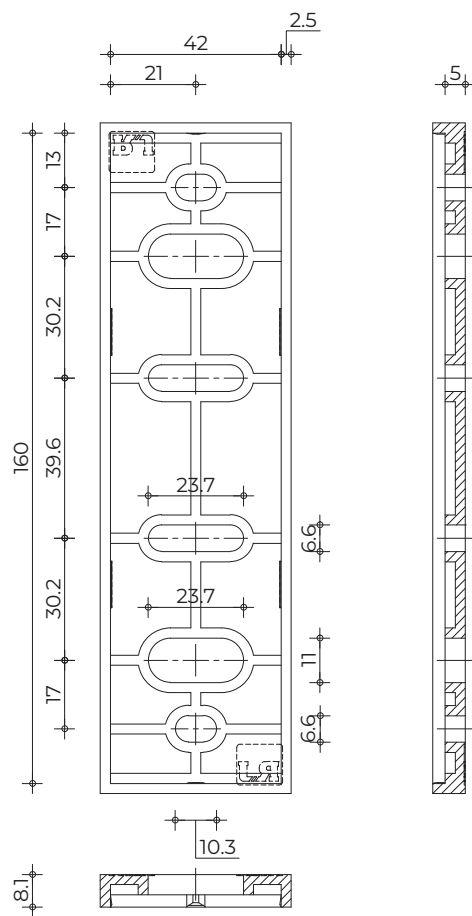
Suitable for concrete, masonry, steel and timber

Item	Material
L-Bracket	Aluminium - EN AW 6063 T6

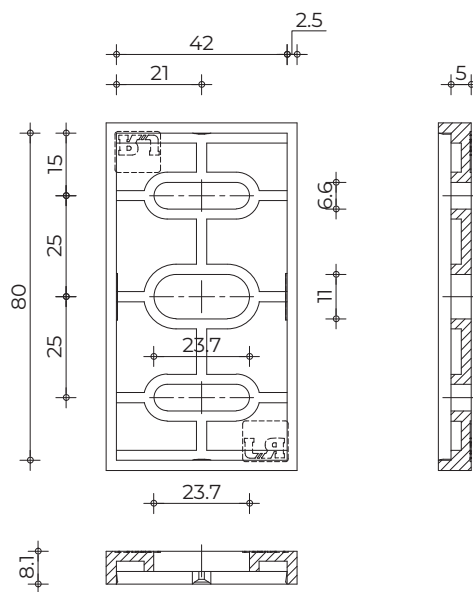
L =
280mm
300mm
320mm

EVT II - Thermo Pads, Polypropylene

Single and double for EVT II L-brackets 40-320mm



Double Thermo pad



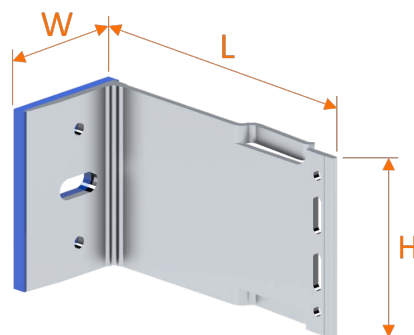
Single Thermo pad

L-Brackets Components
 Suitable for Concrete, Steel and timber

EVT - Aluminium FPH & SPH, for Concrete and SFS Standard L Brackets

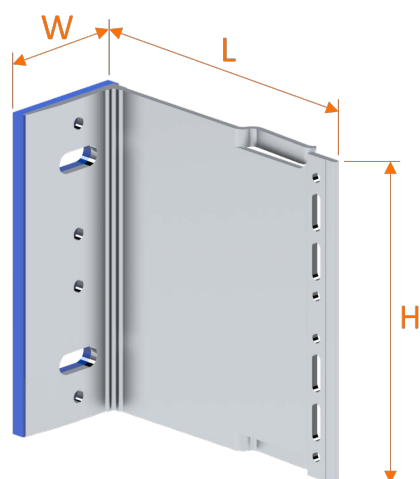
Fixing brackets					Suitable Thermo pads
Code	Type	H (mm)	W (mm)	L (mm)	Type
515872	single	80	62	40	534726 Single
516371	single	80	62	75	
516376	single	90	60	100	515873 Single
516380	single	90	60	125	
516378	single	90	60	150	
515870	single	90	60	180	
516382	single	90	60	210	
517916	single	90	60	240	
522404	single	90	60	270	

Single fixing bracket



Fixing brackets					Suitable Thermo pads
Code	Type	H (mm)	W (mm)	L (mm)	Type
515871	double	160	62	40	535528 Double
516384	double	160	62	75	
516377	double	160	60	100	535529 Double
516381	double	160	60	125	
516379	double	160	60	150	
515869	double	160	60	180	
516383	double	160	60	210	
517918	double	160	60	240	
522403	double	160	60	270	

Double fixing bracket



EVT L-Brackets, Aluminium Performance Table

The performance characteristics of all EVT fixing brackets is tested in laboratory conditions for the worst case scenario.

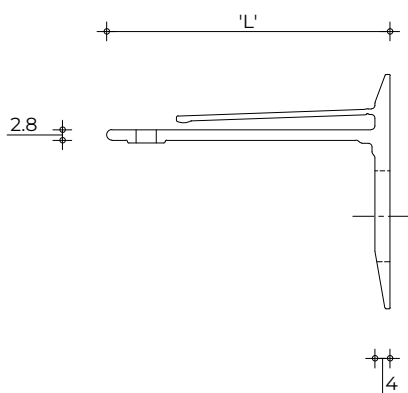
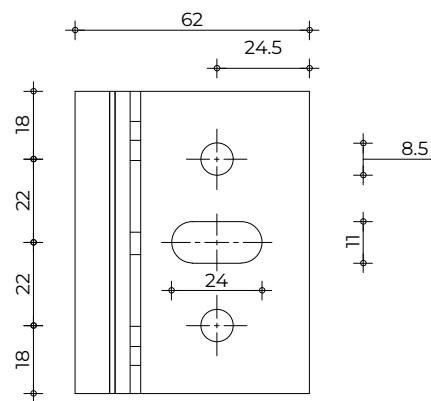
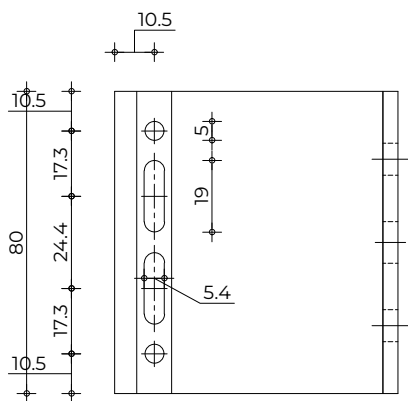
The aim of the test is to determine the load bearing capacity and wind resistance of the brackets and their fixings to the subframe under tension and shear loads.

Summary of results from testing of EVT L-brackets, Aluminium

Code	Type	Size(mm)	Material	Base	Design Resistance (kN)	
					Vertical	Horizontal
515872	single	62/40/80	aluminium	concrete/sfs	5.53 kN	1.95 kN
516371	single	62/75/80	aluminium	concrete/sfs	2.74 kN	1.95 kN
516376	single	60/100/90	aluminium	concrete/sfs	1.91 kN	1.95 kN
516380	single	60/125/90	aluminium	concrete/sfs	1.48 kN	1.95 kN
516378	single	60/150/90	aluminium	concrete/sfs	1.20 kN	1.95 kN
515870	single	60/180/90	aluminium	concrete/sfs	0.98 kN	1.95 kN
516382	single	60/210/90	aluminium	concrete/sfs	0.91 kN	1.95 kN
517916	single	60/240/90	aluminium	concrete/sfs	0.72 kN	1.95 kN
522404	single	60/270/90	aluminium	concrete/sfs	0.63 kN	1.95 kN
515871	double	62/40/160	aluminium	concrete/sfs	12.56 kN	4.46 kN
516384	double	62/75/160	aluminium	concrete/sfs	7.50 kN	4.46 kN
516377	double	60/100/160	aluminium	concrete/sfs	5.30 kN	4.47 kN
516381	double	60/125/160	aluminium	concrete/sfs	4.07 kN	4.45 kN
516379	double	60/150/160	aluminium	concrete/sfs	3.31 kN	4.46 kN
515869	double	60/180/160	aluminium	concrete/sfs	2.71 kN	4.50 kN
516383	double	60/210/160	aluminium	concrete/sfs	2.32 kN	4.36 kN
517918	double	60/240/160	aluminium	concrete/sfs	1.98 kN	4.46 kN
522403	double	60/270/160	aluminium	concrete/sfs	1.74 kN	4.46 kN

EVT - L-Brackets, Aluminium

Sliding Point Bracket, Lengths $\leq 75\text{mm}$



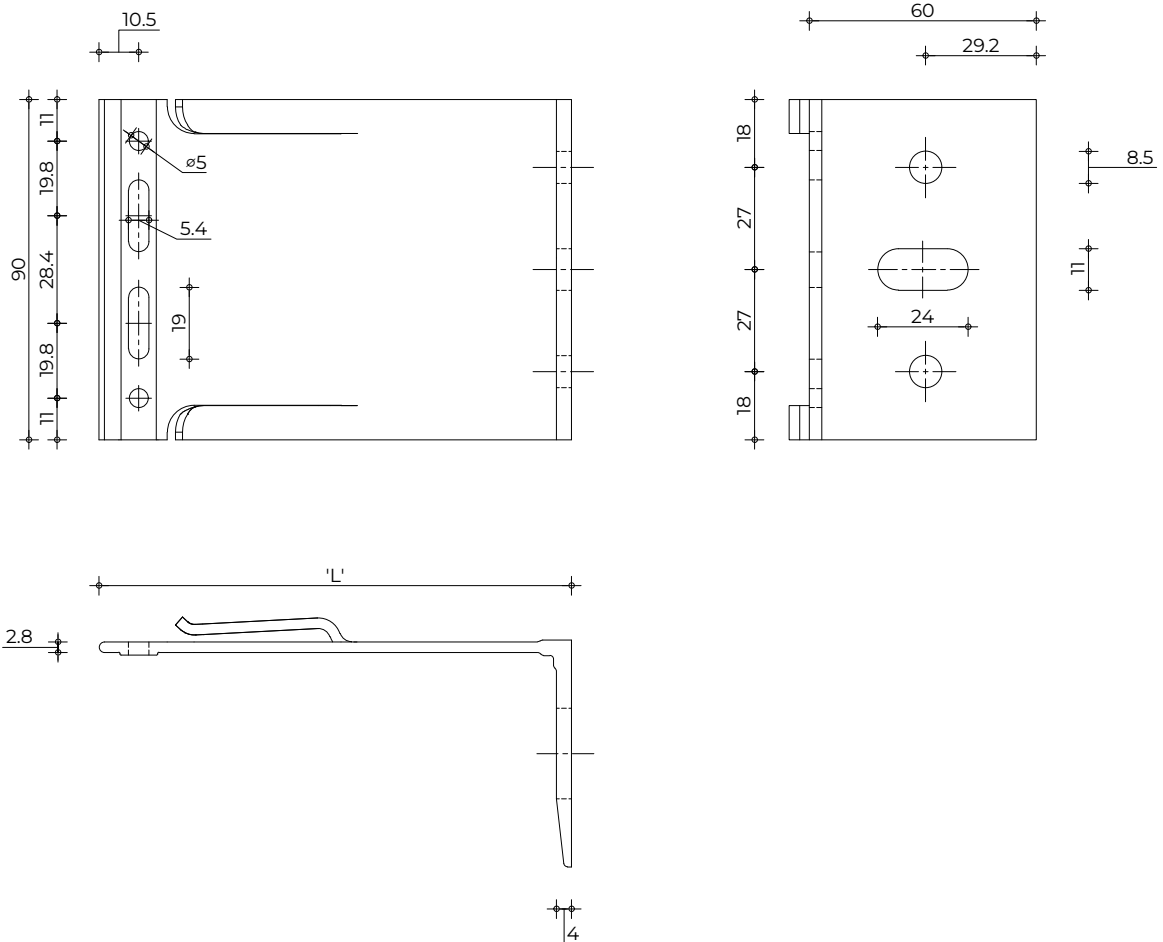
L-Bracket Single, Lengths $\leq 75\text{mm}$
 Suitable for Concrete, Masonry, Steel and Timber

Item	Material
L-Bracket	Aluminum - EN AW 6063 T6

L =
40mm
75mm

EVT - L-Brackets, Aluminium

Sliding Point Bracket, Lengths > 75mm



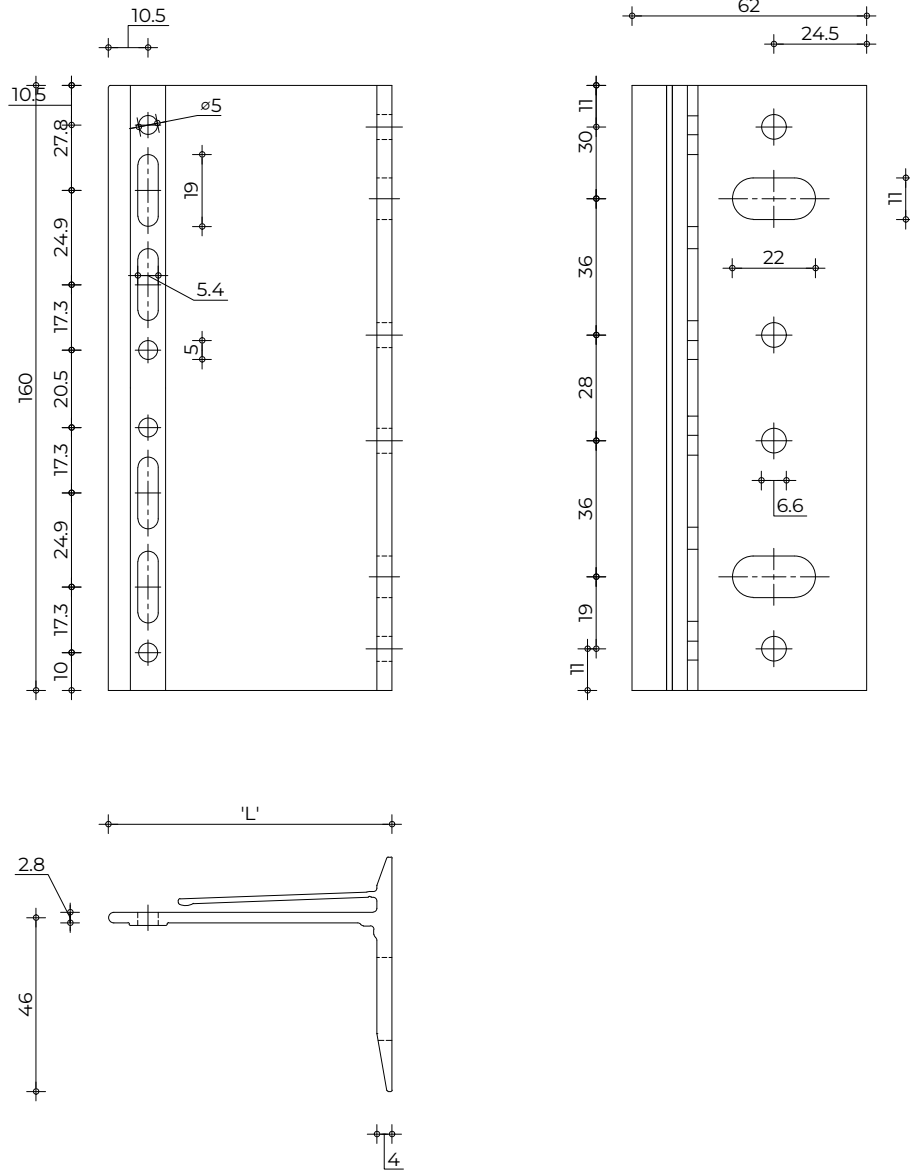
L-Bracket Single, Lengths > 75mm
 Suitable for Concrete, Masonry, Steel and Timber

Item	Material
L-Bracket	Aluminum - EN AW 6063 T6

L =
100mm
125mm
150mm
180mm
210mm
240mm
270mm

EVT - L-Brackets, Aluminium

Fixed Point Bracket, Lengths $\leq 75\text{mm}$



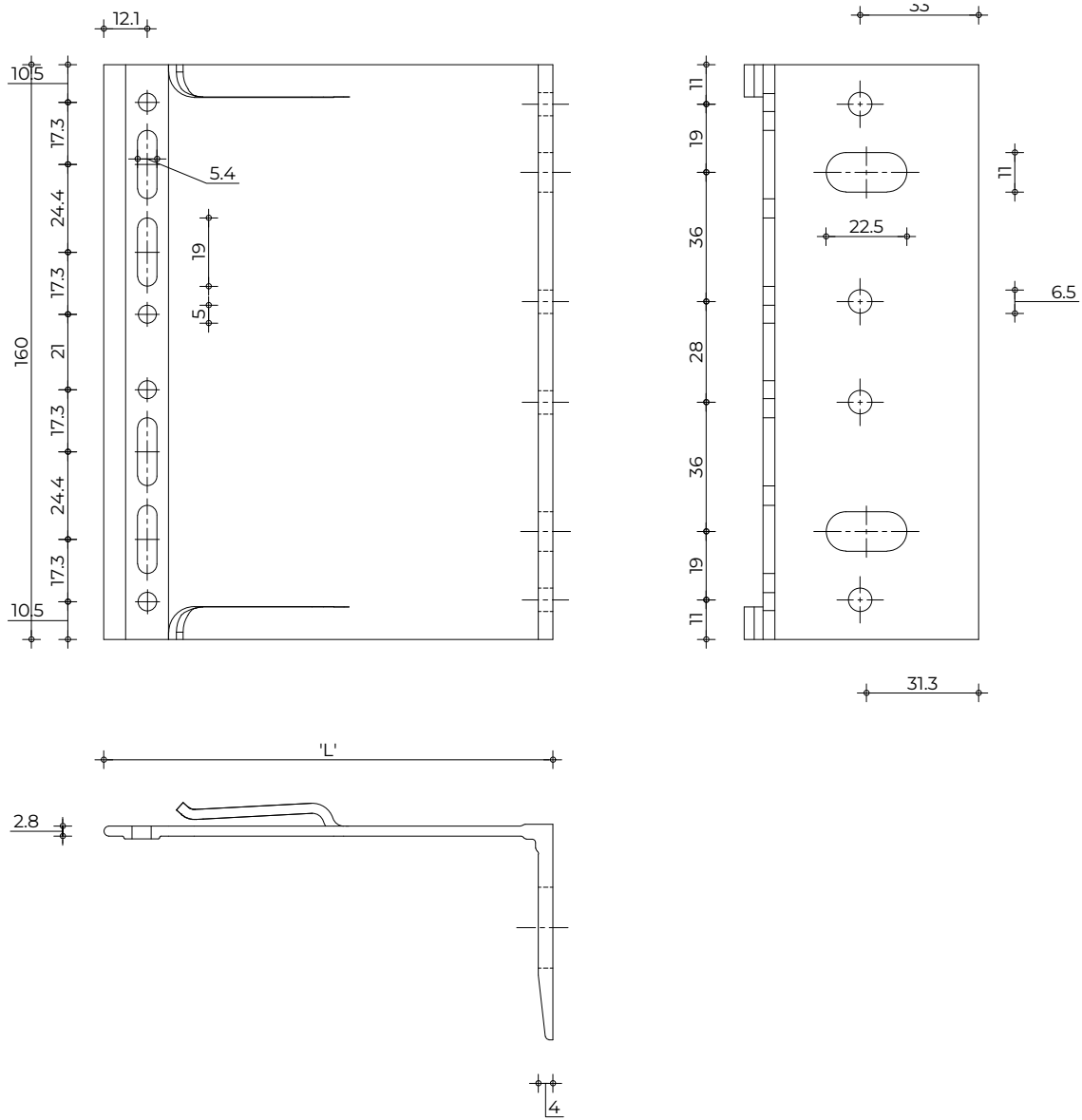
L-Bracket Double, Lengths $\leq 75\text{mm}$
 Suitable for Concrete, Masonry, Steel and Timber

Item	Material
L-Bracket	Aluminum - EN AW 6063 T6

L =
40mm
75mm

EVT - L-Brackets, Aluminium

Fixed Point Bracket, Lengths > 75mm



L-Bracket Double, Lengths > 75mm
 Suitable for Concrete, Masonry, Steel and Timber

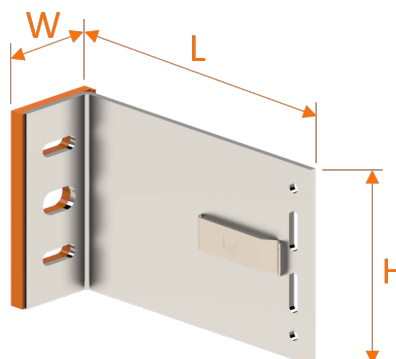
Item	Material
L-Bracket	Aluminum - EN AW 6063 T6

L =
100mm
125mm
150mm
180mm
210mm
240mm
270mm

EVT - Stainless FPH & SPH, for Concrete and SFS Standard L Brackets

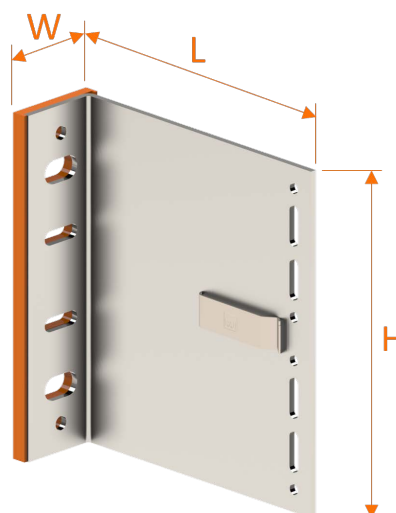
Fixing brackets					Suitable Thermo pads
Code	Type	H (mm)	W (mm)	L (mm)	Type
300409	single	80	42	60	515873 single
300410	single	80	42	80	
300411	single	80	42	100	
300412	single	80	42	120	
300414	single	80	42	140	
300415	single	80	42	160	
300416	single	80	42	180	
300417	single	80	42	200	
300418	single	80	42	220	
300419	single	80	42	240	
300421	single	80	42	260	
300422	single	80	42	280	
300423	single	80	42	300	
300424	single	80	42	320	

Single fixing



Fixing brackets					Suitable Thermo pads
Code	Type	H (mm)	W (mm)	L (mm)	Type
300428	double	160	42	60	535529 double
300429	double	160	42	80	
300430	double	160	42	100	
300431	double	160	42	120	
300433	double	160	42	140	
300434	double	160	42	160	
300435	double	160	42	180	
300436	double	160	42	200	
300437	double	160	42	220	
300438	double	160	42	240	
300440	double	160	42	260	
300441	double	160	42	280	
300442	double	160	42	300	
300443	double	160	42	320	

Double fixing bracket



EVT fixing brackets allow to distance the cladding material from the backing wall from min 68mm up to max 312mm with 60mm T profile It's possible to adjust the profile up to 33mm (Lmin to Lmax)

EVT II L-Brackets, Stainless Steel Performance Table

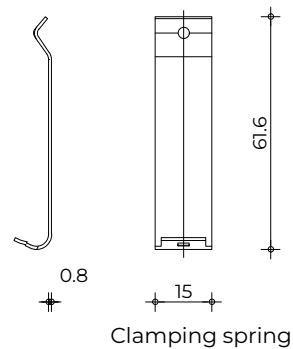
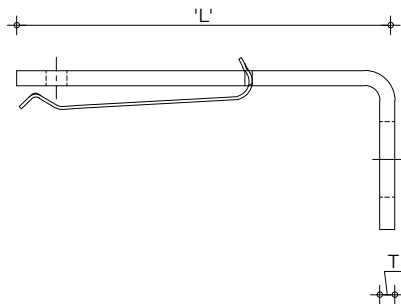
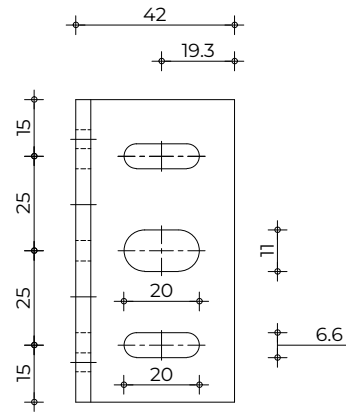
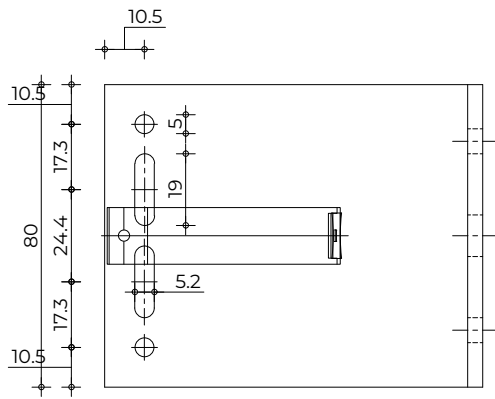
The performance characteristics of all EVT fixing brackets is tested in laboratory conditions for the worst case scenario.

The aim of the test is to determine the load bearing capacity and wind resistance of the brackets and their fixings to the subframe under tension and shear loads.

Summary of results from testing of EVT II L-brackets, Stainless Steel

Code	Type	Size(mm)	Material	Base	Design Resistance (kN)	
					Vertical	Horizontal
300409	single	42/60/80	stainless	concrete/sfs	4.74 kN	2.85 kN
300410	single	42/80/80	stainless	concrete/sfs	3.46 kN	2.85 kN
300411	single	42/100/80	stainless	concrete/sfs	2.69 kN	2.66 kN
300412	single	42/120/80	stainless	concrete/sfs	2.23 kN	2.66 kN
300414	single	42/140/80	stainless	concrete/sfs	1.80 kN	2.86 kN
300415	single	42/160/80	stainless	concrete/sfs	1.57 kN	2.86 kN
300416	single	42/180/80	stainless	concrete/sfs	1.37 kN	2.66 kN
300417	single	42/200/80	stainless	concrete/sfs	1.22 kN	2.66 kN
300418	single	42/220/80	stainless	concrete/sfs	1.10 kN	2.66 kN
300419	single	42/240/80	stainless	concrete/sfs	1.00 kN	2.66 kN
300421	single	42/260/80	stainless	concrete/sfs	0.92 kN	2.85 kN
300422	single	42/280/80	stainless	concrete/sfs	0.87 kN	2.85 kN
300423	single	42/300/80	stainless	concrete/sfs	0.79 kN	2.85 kN
300424	single	42/320/80	stainless	concrete/sfs	0.74 kN	2.85 kN
300428	double	42/60/160	stainless	concrete/sfs	11.99 kN	6.44 kN
300429	double	42/80/160	stainless	concrete/sfs	10.55 kN	6.44 kN
300430	double	42/100/160	stainless	concrete/sfs	8.27 kN	6.44 kN
300431	double	42/120/160	stainless	concrete/sfs	6.67 kN	6.44 kN
300433	double	42/140/160	stainless	concrete/sfs	5.56 kN	6.44 kN
300434	double	42/160/160	stainless	concrete/sfs	4.77 kN	6.44 kN
300435	double	42/180/160	stainless	concrete/sfs	4.18 kN	6.44 kN
300436	double	42/200/160	stainless	concrete/sfs	3.60 kN	6.44 kN
300437	double	42/220/160	stainless	concrete/sfs	3.34 kN	6.38 kN
300438	double	42/240/160	stainless	concrete/sfs	3.03 kN	6.38 kN
300440	double	42/260/160	stainless	concrete/sfs	2.76 kN	6.38 kN
300441	double	42/280/160	stainless	concrete/sfs	2.59 kN	6.38 kN
300442	double	42/300/160	stainless	concrete/sfs	2.41 kN	6.38 kN
300443	double	42/320/160	stainless	concrete/sfs	2.23 kN	6.38 kN

EVT- L-Brackets, Stainless Steel Fixed Point Bracket

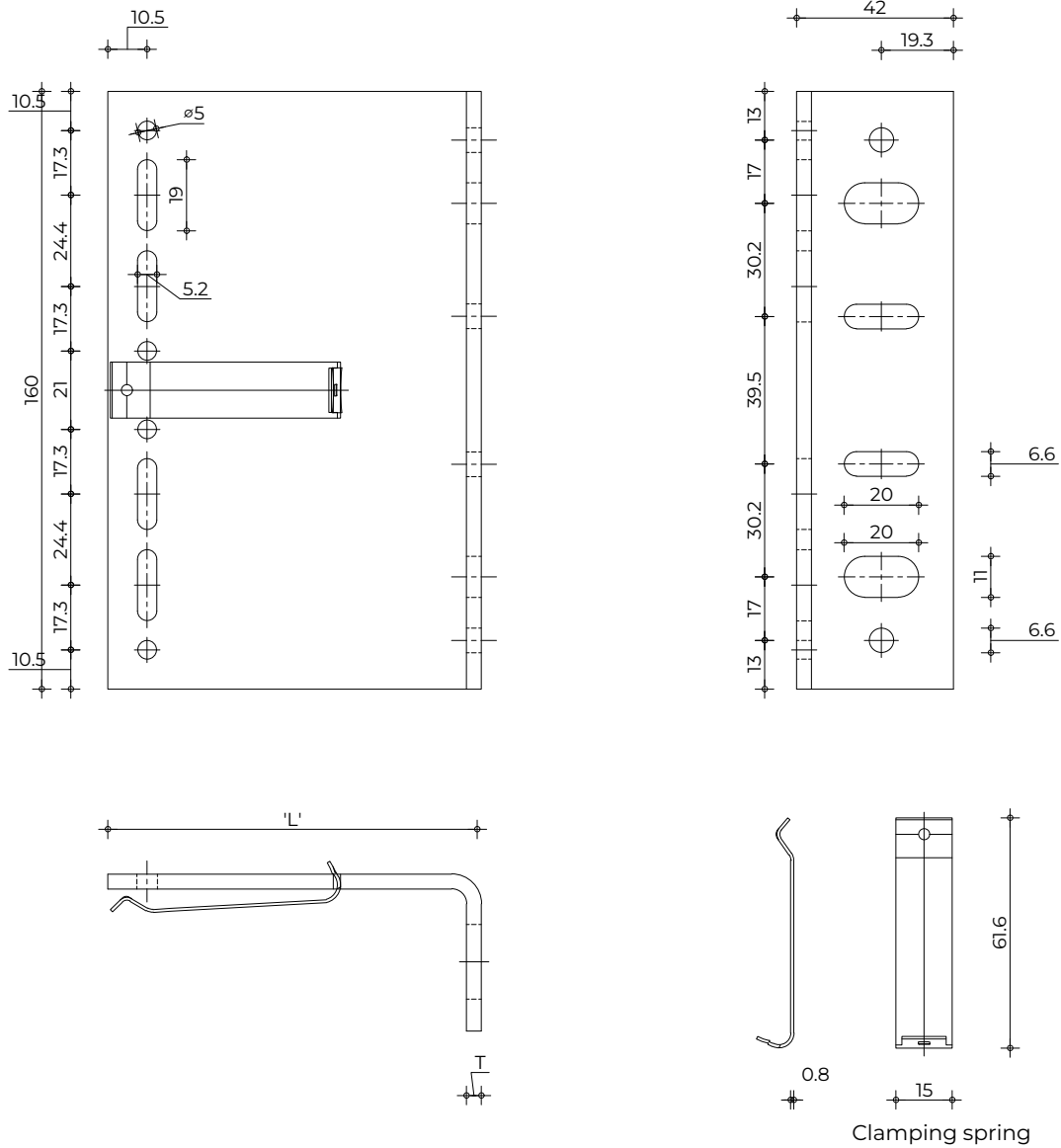


L-Bracket Single
Suitable for Concrete, Masonry, Steel and Timber
*Custom lengths available on demand

Item	Material
L-Bracket	Aluminum - EN AW 5083-'O'-H111/4017-H32
	St. steel 1.4301/1.4401/1.4404
Clip	Stainless steel

L* =		T =
40mm	220mm	3 - 4 mm
60mm	240mm	
80mm	260mm	
100mm	280mm	
120mm	300mm	
160mm	320mm	
180mm	340mm	
200mm	360mm	

EVT- L-Brackets, Stainless Steel Fixed Point Bracket



L-Bracket Double,
Suitable for Concrete, Masonry, Steel and Timber
*Custom lengths available on demand

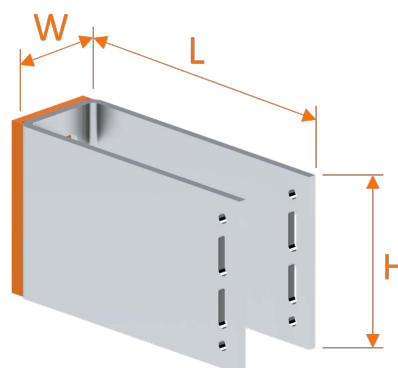
Item	Material
L-Bracket	Aluminum - EN AW 5083-'O'-H111/4017-H32
	St. steel 1.4301/1.4401/1.4404
Clip	Stainless steel

L* =		T =
40mm	220mm	3 - 4 mm
60mm	240mm	
80mm	260mm	
100mm	280mm	
120mm	300mm	
160mm	320mm	
180mm	340mm	
200mm	360mm	

EVT U Brackets - Aluminium FPH & SPH, slots for Concrete and SFS Brackets

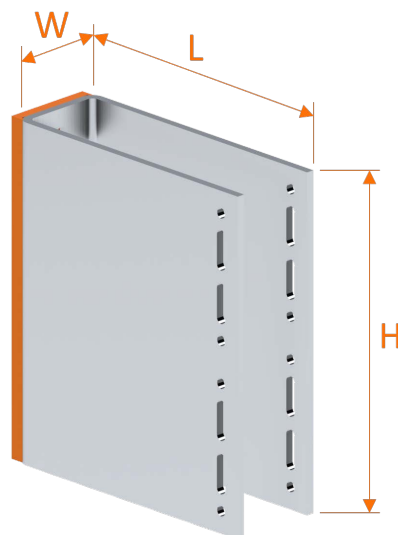
Fixing brackets					Suitable Thermo pads
Code	Type	H (mm)	W (mm)	L (mm)	Type
300496	single	80	44	60	515873 single
300497	single	80	44	80	
300498	single	80	44	100	
300499	single	80	44	120	
300500	single	80	44	140	
300501	single	80	44	160	
300502	single	80	44	180	
300503	single	80	44	200	
300504	single	80	44	220	
300505	single	80	44	240	
300506	single	80	44	260	
300507	single	80	44	280	
300508	single	80	44	300	
300509	single	80	44	320	

Single fixing



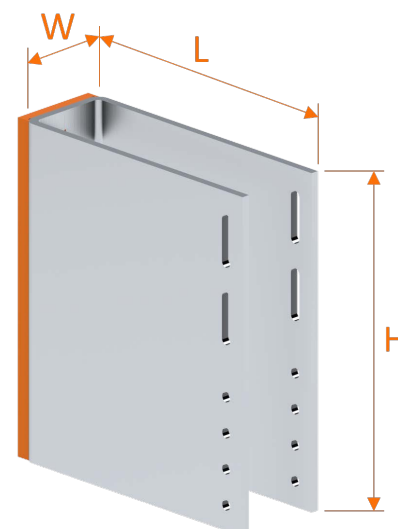
Fixing brackets					Suitable Thermo pads
Code	Type	H (mm)	W (mm)	L (mm)	Type
300479	double	160	44	60	535529 double
300480	double	160	44	80	
300481	double	160	44	100	
300482	double	160	44	120	
300483	double	160	44	140	
300484	double	160	44	160	
300485	double	160	44	180	
300486	double	160	44	200	
300487	double	160	44	220	
300488	double	160	44	240	
300489	double	160	44	260	
300490	double	160	44	280	
300491	double	160	44	300	
300492	double	160	44	320	

Double fixing bracket A



Fixing brackets					Suitable Thermo pads
Code	Type	H (mm)	W (mm)	L (mm)	Type
300513	combi	160	44	60	535529 double
300514	combi	160	44	80	
300515	combi	160	44	100	
300516	combi	160	44	120	
300517	combi	160	44	140	
300518	combi	160	44	160	
300519	combi	160	44	180	
300520	combi	160	44	200	
300521	combi	160	44	220	
300522	combi	160	44	240	
300523	combi	160	44	260	
300524	combi	160	44	280	
300525	combi	160	44	300	
300526	combi	160	44	320	

Double fixing bracket B

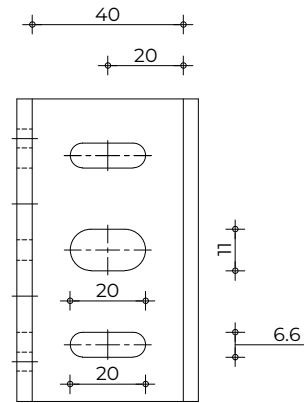
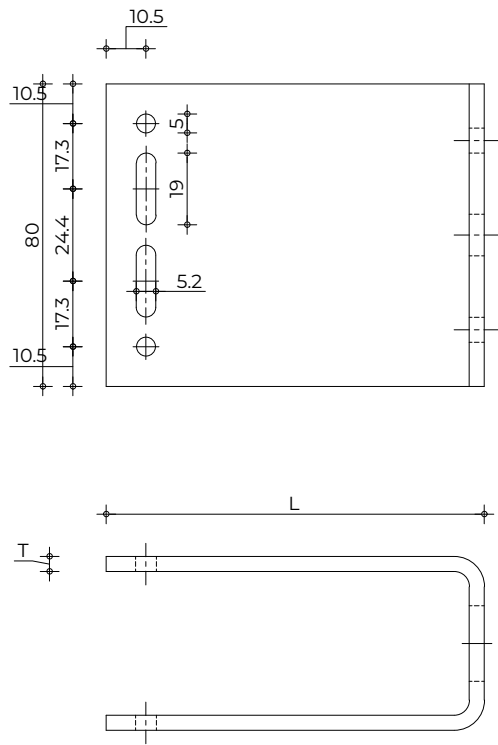


EVT U-Brackets, Aluminium Performance Table

Summary of results from testing of EVT U-brackets, Aluminium Code

Code	Type	Size(mm)	Material	Base	Design Resistance (kN)	
					Vertical	Horizontal
300496	single	44/60/80	aluminium	concrete/sfs	3.13 kN	2.41 kN
300497	single	44/80/80	aluminium	concrete/sfs	2.24 kN	2.40 kN
300498	single	44/100/80	aluminium	concrete/sfs	1.74 kN	2.40 kN
300499	single	44/120/80	aluminium	concrete/sfs	1.42 kN	2.40 kN
300500	single	44/140/80	aluminium	concrete/sfs	1.20 kN	2.39 kN
300501	single	44/160/80	aluminium	concrete/sfs	1.05 kN	2.40 kN
300502	single	44/180/80	aluminium	concrete/sfs	0.92 kN	2.40 kN
300503	single	44/200/80	aluminium	concrete/sfs	0.82 kN	2.40 kN
300504	single	44/220/80	aluminium	concrete/sfs	0.74 kN	2.41 kN
300505	single	44/240/80	aluminium	concrete/sfs	0.68 kN	2.41 kN
300506	single	44/260/80	aluminium	concrete/sfs	0.62 kN	2.39 kN
300507	single	44/280/80	aluminium	concrete/sfs	0.58 kN	2.39 kN
300508	single	44/300/80	aluminium	concrete/sfs	0.54 kN	2.40 kN
300509	single	44/320/80	aluminium	concrete/sfs	0.50 kN	2.40 kN
300479	double	44/60/160	aluminium	concrete/sfs	13.22 kN	6.97 kN
300480	double	44/80/160	aluminium	concrete/sfs	9.53 kN	6.97 kN
300481	double	44/100/160	aluminium	concrete/sfs	7.49 kN	6.97 kN
300482	double	44/120/160	aluminium	concrete/sfs	6.19 kN	6.97 kN
300483	double	44/140/160	aluminium	concrete/sfs	5.28 kN	6.97 kN
300484	double	44/160/160	aluminium	concrete/sfs	4.62 kN	6.97 kN
300485	double	44/180/160	aluminium	concrete/sfs	4.09 kN	6.97 kN
300486	double	44/200/160	aluminium	concrete/sfs	3.67 kN	6.90 kN
300487	double	44/220/160	aluminium	concrete/sfs	3.32 kN	7.01 kN
300488	double	44/240/160	aluminium	concrete/sfs	3.05 kN	7.01 kN
300489	double	44/260/160	aluminium	concrete/sfs	2.76 kN	7.01 kN
300490	double	44/280/160	aluminium	concrete/sfs	2.55 kN	7.08 kN
300491	double	44/300/160	aluminium	concrete/sfs	2.41 kN	7.04 kN
300492	double	44/320/160	aluminium	concrete/sfs	2.23 kN	7.04 kN
300513	double/combi	44/60/160	aluminium	concrete/sfs	13.22 kN	6.97 kN
300514	double/combi	44/80/160	aluminium	concrete/sfs	9.53 kN	6.97 kN
300515	double/combi	44/100/160	aluminium	concrete/sfs	7.49 kN	6.97 kN
300516	double/combi	44/120/160	aluminium	concrete/sfs	6.19 kN	6.97 kN
300517	double/combi	44/140/160	aluminium	concrete/sfs	5.28 kN	6.97 kN
300518	double/combi	44/160/160	aluminium	concrete/sfs	4.62 kN	6.97 kN
300519	double/combi	44/180/160	aluminium	concrete/sfs	4.09 kN	6.97 kN
300520	double/combi	44/200/160	aluminium	concrete/sfs	3.67 kN	6.90 kN
300521	double/combi	44/220/160	aluminium	concrete/sfs	3.32 kN	7.01 kN
300522	double/combi	44/240/160	aluminium	concrete/sfs	3.05 kN	7.01 kN
300523	double/combi	44/260/160	aluminium	concrete/sfs	2.76 kN	7.01 kN
300524	double/combi	44/280/160	aluminium	concrete/sfs	2.55 kN	7.08 kN
300525	double/combi	44/300/160	aluminium	concrete/sfs	2.41 kN	7.04 kN
300526	double/combi	44/320/160	aluminium	concrete/sfs	2.23 kN	7.04kN

EVT - U-Brackets, Aluminium Sliding Point Bracket

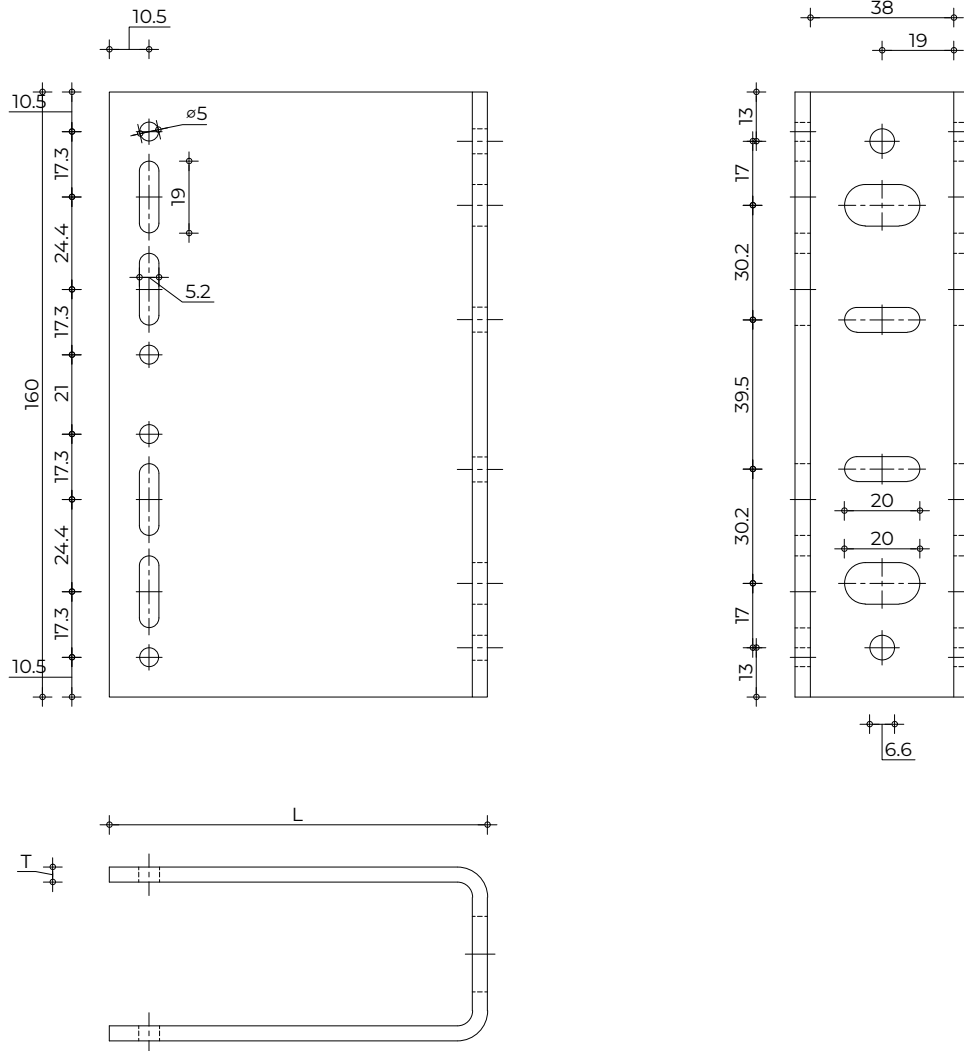


U-Bracket Single
Suitable for Concrete, Masonry, Steel and Timber
*Custom lengths available on demand

Item	Material
U-Bracket	Aluminum - EN AW 5083-'O'-H111/4017-H32
	St. steel 1.4301/1.4401/1.4404

L* =		T =
40mm	220mm	3 - 4 mm
60mm	240mm	
80mm	260mm	
100mm	280mm	
120mm	300mm	
160mm	320mm	
180mm	340mm	
200mm	360mm	

EVT - U-Brackets, Aluminium Fixed Point Bracket

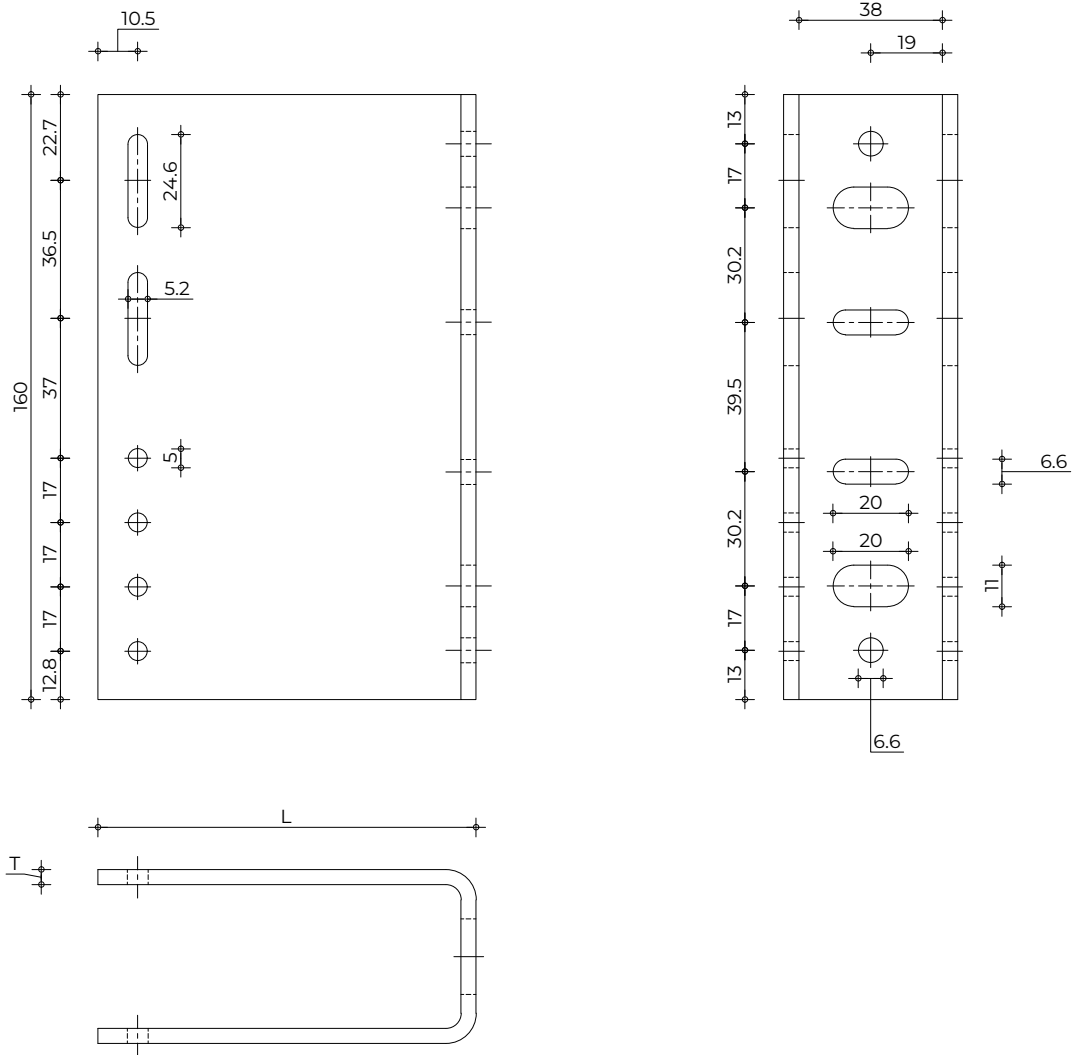


U-Bracket Double
 Suitable for Concrete, Masonry, Steel and Timber
 *Custom lengths available on demand

Item	Material
U-Bracket	Aluminum - EN AW 5083-'O'-H111/4017-H32
	St. steel 1.4301/1.4401/1.4404

L* =		T =
40mm	220mm	3 - 4 mm
60mm	240mm	
80mm	260mm	
100mm	280mm	
120mm	300mm	
160mm	320mm	
180mm	340mm	
200mm	360mm	

EVT- Combi U-Brackets, Aluminium Fixed/ Sliding Point Bracket



Combi U-Bracket Fixed/Single
Suitable for Concrete, Masonry, Steel and Timber
*Custom lengths available on demand

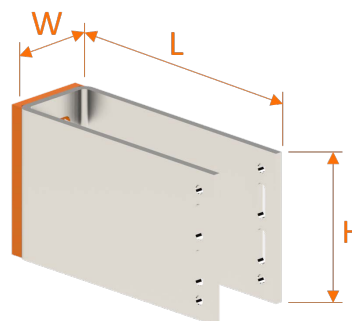
Item	Material
U-Bracket	Aluminum - EN AW 5083-'O'-H111/4017-H32
	St. steel 1.4301/1.4401/1.4404

L* =		T =
40mm	220mm	3 - 4 mm
60mm	240mm	
80mm	260mm	
100mm	280mm	
120mm	300mm	
160mm	320mm	
180mm	340mm	
200mm	360mm	

EVT U-Brackets - Stainless Steel FPH & SPH, slots for Concrete and Steel

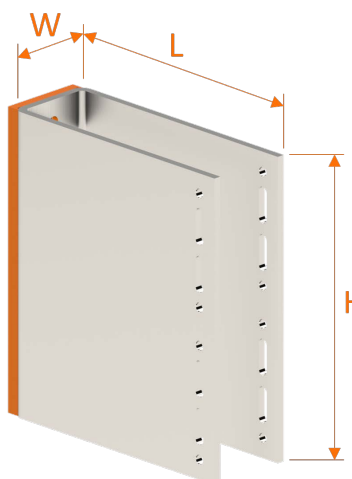
Fixing brackets					Suitable Thermo pads
Code	Type	H (mm)	W (mm)	L (mm)	Type
300530	single	80	44	60	515873 single
300531	single	80	44	80	
300532	single	80	44	100	
300533	single	80	44	120	
300534	single	80	44	140	
300535	single	80	44	160	
300536	single	80	44	180	
300537	single	80	44	200	
300538	single	80	44	220	
300539	single	80	44	240	
300540	single	80	44	260	
300541	single	80	44	280	
300542	single	80	44	300	
300543	single	80	44	320	

Single fixing



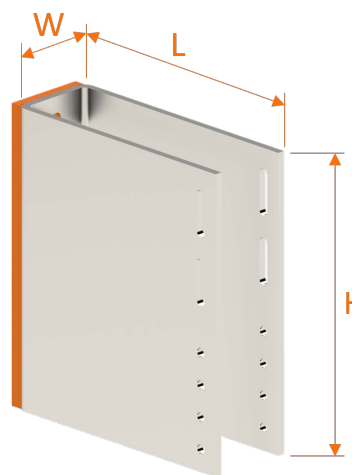
Fixing brackets					Suitable Thermo pads
Code	Type	H (mm)	W (mm)	L (mm)	Type
300547	double	160	44	60	535529 double
300548	double	160	44	80	
300549	double	160	44	100	
300550	double	160	44	120	
300551	double	160	44	140	
300552	double	160	44	160	
300553	double	160	44	180	
300554	double	160	44	200	
300555	double	160	44	220	
300556	double	160	44	240	
300557	double	160	44	260	
300558	double	160	44	280	
300559	double	160	44	300	
300560	double	160	44	320	

Double fixing bracket A



Fixing brackets					Suitable Thermo pads
Code	Type	H (mm)	W (mm)	L (mm)	Type
300564	combi	160	44	60	535529 double
300565	combi	160	44	80	
300566	combi	160	44	100	
300567	combi	160	44	120	
300568	combi	160	44	140	
300569	combi	160	44	160	
300570	combi	160	44	180	
300571	combi	160	44	200	
300572	combi	160	44	220	
300573	combi	160	44	240	
300574	combi	160	44	260	
300575	combi	160	44	280	
300576	combi	160	44	300	
300577	combi	160	44	320	

Double fixing bracket B

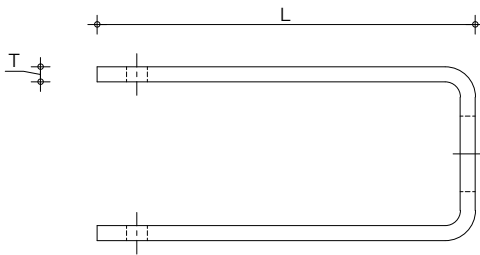
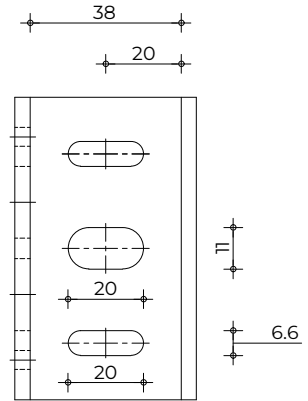
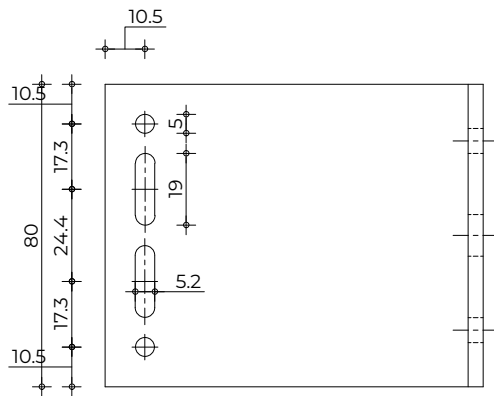


EVT U-Brackets, Aluminium Performance Table

Summary of results from testing of EVT U-brackets, Stainless

Code	Type	Size(mm)	Material	Base	Design Resistance (kN)	
					Vertical	Horizontal
300530	single	44/60/80	stainless	concrete/sfs	3.13 kN	2.41 kN
300531	single	44/80/80	stainless	concrete/sfs	2.24 kN	2.40 kN
300532	single	44/100/80	stainless	concrete/sfs	1.74 kN	2.40 kN
300533	single	44/120/80	stainless	concrete/sfs	1.42 kN	2.40 kN
300534	single	44/140/80	stainless	concrete/sfs	1.20 kN	2.39 kN
300535	single	44/160/80	stainless	concrete/sfs	1.05 kN	2.40 kN
300536	single	44/180/80	stainless	concrete/sfs	0.92 kN	2.40 kN
300537	single	44/200/80	stainless	concrete/sfs	0.82 kN	2.40 kN
300538	single	44/220/80	stainless	concrete/sfs	0.74 kN	2.41 kN
300539	single	44/240/80	stainless	concrete/sfs	0.68 kN	2.41 kN
300540	single	44/260/80	stainless	concrete/sfs	0.62 kN	2.39 kN
300541	single	44/280/80	stainless	concrete/sfs	0.58 kN	2.39 kN
300542	single	44/300/80	stainless	concrete/sfs	0.54 kN	2.40 kN
300543	single	44/320/80	stainless	concrete/sfs	0.50 kN	2.40 kN
300547	double	44/60/160	stainless	concrete/sfs	13.22 kN	6.97 kN
300548	double	44/80/160	stainless	concrete/sfs	9.53 kN	6.97 kN
300549	double	44/100/160	stainless	concrete/sfs	7.49 kN	6.97 kN
300550	double	44/120/160	stainless	concrete/sfs	6.19 kN	6.97 kN
300551	double	44/140/160	stainless	concrete/sfs	5.28 kN	6.97 kN
300552	double	44/160/160	stainless	concrete/sfs	4.62 kN	6.97 kN
300553	double	44/180/160	stainless	concrete/sfs	4.09 kN	6.97 kN
300554	double	44/200/160	stainless	concrete/sfs	3.67 kN	6.90 kN
300555	double	44/220/160	stainless	concrete/sfs	3.32 kN	7.01 kN
300556	double	44/240/160	stainless	concrete/sfs	3.05 kN	7.01 kN
300557	double	44/260/160	stainless	concrete/sfs	2.76 kN	7.01 kN
300558	double	44/280/160	stainless	concrete/sfs	2.55 kN	7.08 kN
300559	double	44/300/160	stainless	concrete/sfs	2.41 kN	7.04 kN
300560	double	44/320/160	stainless	concrete/sfs	2.23 kN	7.04 kN
300564	double/combi	44/60/160	stainless	concrete/sfs	13.22 kN	6.97 kN
300565	double/combi	44/80/160	stainless	concrete/sfs	9.53 kN	6.97 kN
300566	double/combi	44/100/160	stainless	concrete/sfs	7.49 kN	6.97 kN
300567	double/combi	44/120/160	stainless	concrete/sfs	6.19 kN	6.97 kN
300568	double/combi	44/140/160	stainless	concrete/sfs	5.28 kN	6.97 kN
300569	double/combi	44/160/160	stainless	concrete/sfs	4.62 kN	6.97 kN
300570	double/combi	44/180/160	stainless	concrete/sfs	4.09 kN	6.97 kN
300571	double/combi	44/200/160	stainless	concrete/sfs	3.67 kN	6.90 kN
300572	double/combi	44/220/160	stainless	concrete/sfs	3.32 kN	7.01 kN
300573	double/combi	44/240/160	stainless	concrete/sfs	3.05 kN	7.01 kN
300574	double/combi	44/260/160	stainless	concrete/sfs	2.76 kN	7.01 kN
300575	double/combi	44/280/160	stainless	concrete/sfs	2.55 kN	7.08 kN
300576	double/combi	44/300/160	stainless	concrete/sfs	2.41 kN	7.04 kN
300577	double/combi	44/320/160	stainless	concrete/sfs	2.23 kN	7.04 kN

EVT - U-Brackets, Stainless Steel Fixed Point Bracket

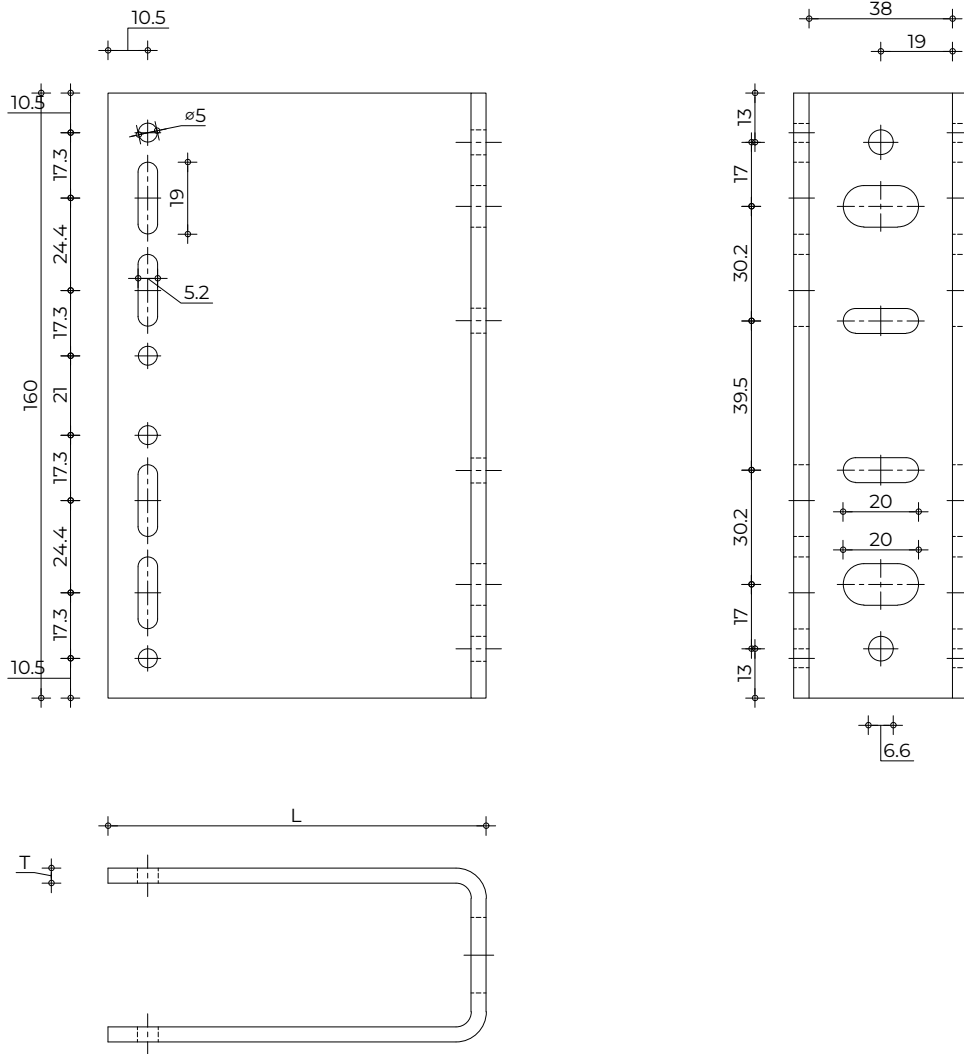


U-Bracket Single
Suitable for Concrete, Masonry, Steel and Timber
*Custom lengths available on demand

Item	Material
U-Bracket	Aluminum - EN AW 5083-'O'-H111/4017-H32
	St. steel 1.4301/1.4401/1.4404

L* =		T =
40mm	220mm	3 - 4 mm
60mm	240mm	
80mm	260mm	
100mm	280mm	
120mm	300mm	
160mm	320mm	
180mm	340mm	
200mm	360mm	

EVT - U-Brackets, Stainless Steel Fixed Point Bracket

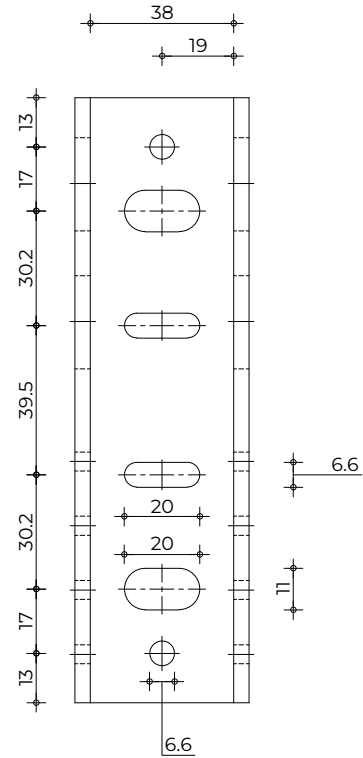
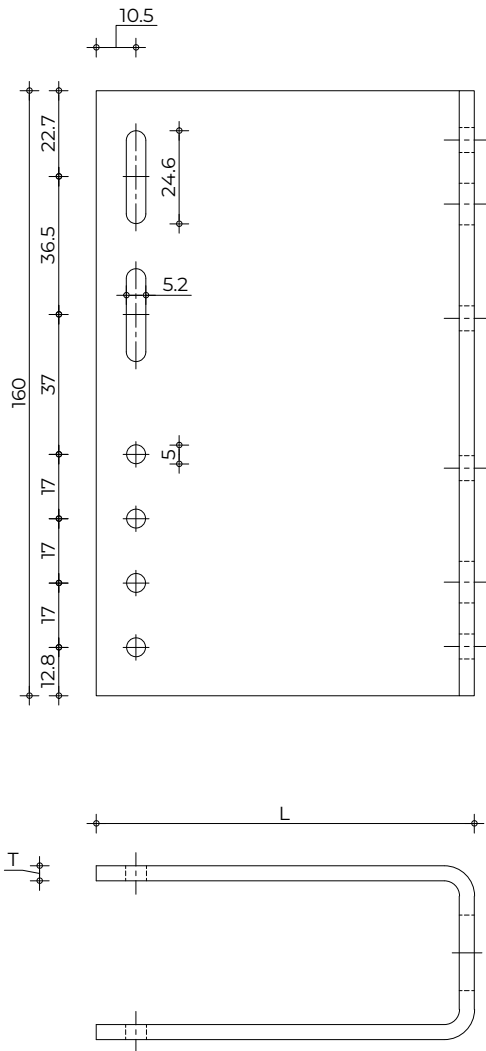


U-Bracket Double
Suitable for Concrete, Masonry, Steel and Timber
*Custom lengths available on demand

Item	Material
U-Bracket	Aluminum - EN AW 5083-'O'-H111/4017-H32
	St. steel 1.4301/1.4401/1.4404

L* =		T =
40mm	220mm	3 - 4 mm
60mm	240mm	
80mm	260mm	
100mm	280mm	
120mm	300mm	
160mm	320mm	
180mm	340mm	
200mm	360mm	

EVT- Combi U-Brackets, Stainless Steel Fixed/ Sliding Point Bracket



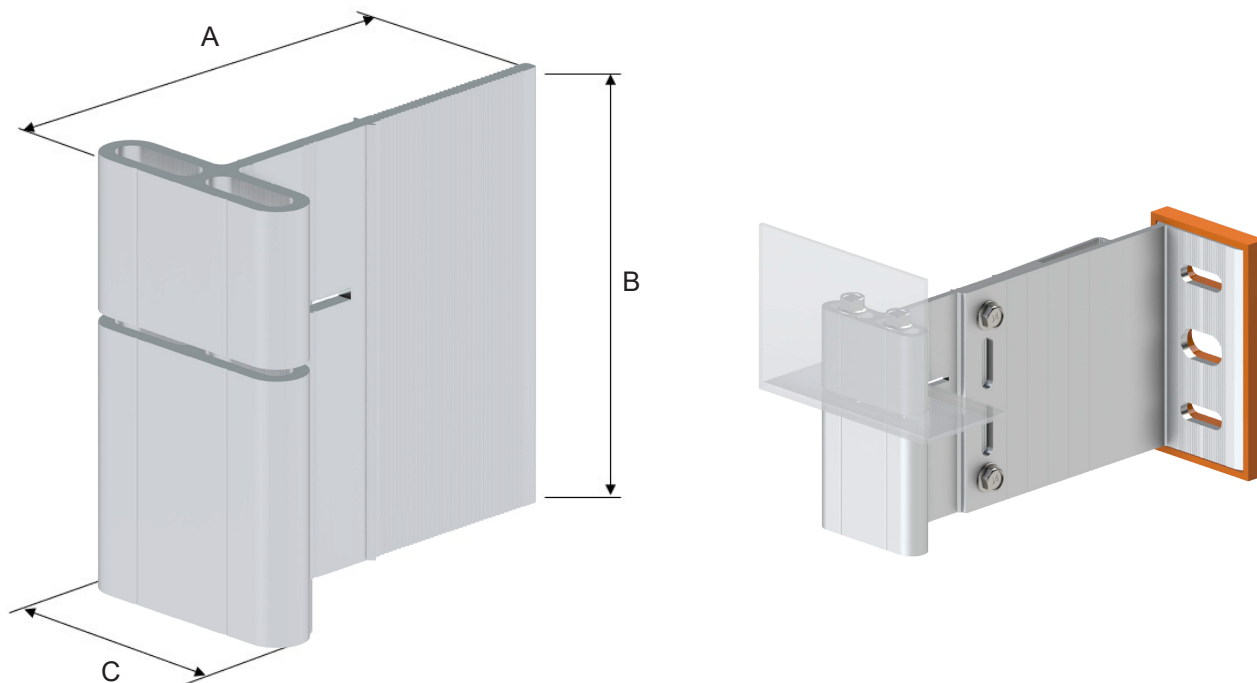
Combi U-Bracket Fixed/Single
Suitable for Concrete, Masonry, Steel and Timber
*Custom lengths available on demand

Item	Material
U-Bracket	Aluminum - EN AW 5083-'O'-H111/4017-H32
	St. steel 1.4301/1.4401/1.4404

L* =		T =
40mm	220mm	3 - 4 mm
60mm	240mm	
80mm	260mm	
100mm	280mm	
120mm	300mm	
160mm	320mm	
180mm	340mm	
200mm	360mm	

EVT II Horizontal Adaptor - Aluminium

Horizontal T adaptor			
Code	A (mm)	B (mm)	C (mm)
522161	86	80	47

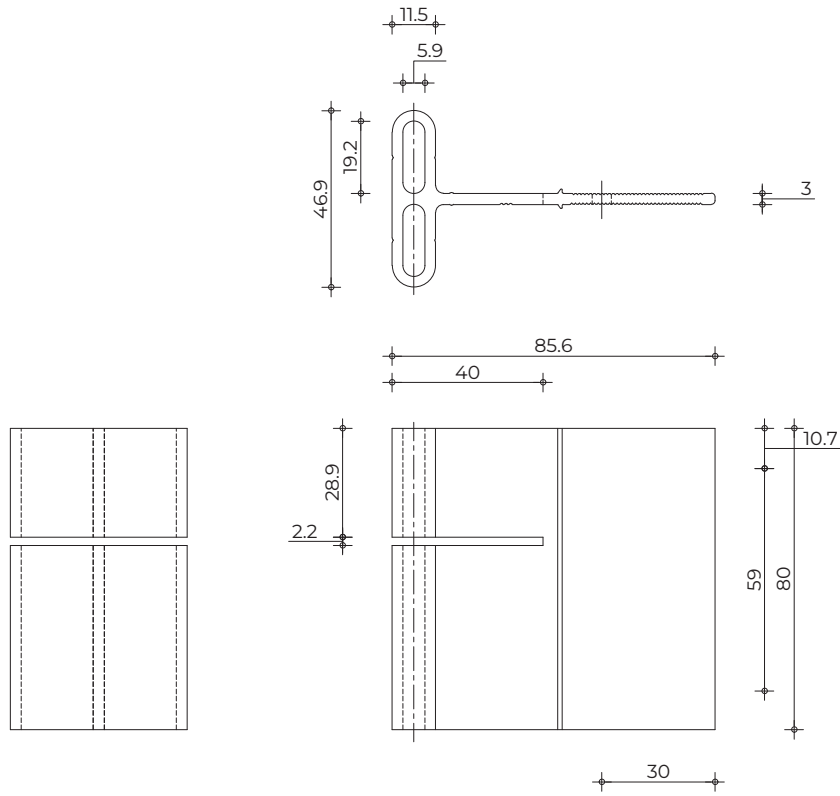


The performance characteristic of the horizontal T adaptor has been tested in a laboratory condition for the worst-case scenario. The aim of the test is to determine the wind and dead load capacity of the brackets and their fixings to the subframe under shear and tension loads.

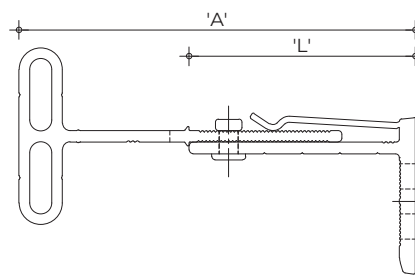
Code	Size (mm)	Material	Base	Design Resistance (kN) ⁽¹⁾	
				Vertical (kN)	Horizontal (kN)
522161	86x80x47	aluminium	sfs / concrete	1.92	2.81

⁽¹⁾ The adaptor piece is designed to be attached to an EVT II L-Bracket. The design resistance of the helping hand bracket will be the limiting factor when assessing final suitability.

EVT II Horizontal Adaptor, Aluminium



L =	A =
40mm	85mm
60mm	105mm
80mm	125mm
100mm	145mm
120mm	165mm
140mm	185mm
160mm	205mm
180mm	225mm
200mm	245mm
220mm	265mm
240mm	285mm
260mm	305mm
280mm	325mm
300mm	345mm
320mm	365mm

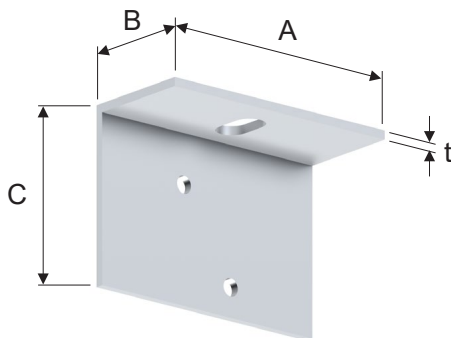


Item	Material
Horizontal T Adaptor Piece	Aluminum - EN AW 6063 T6

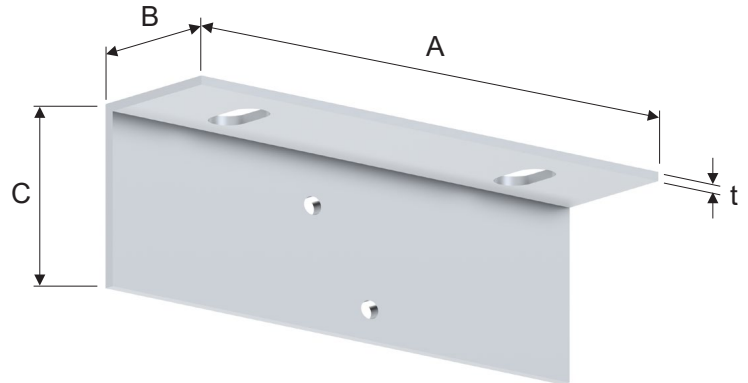
EVT II Soffit L Bracket

Soffit hanger brackets						Suitable Thermo pads
Code	Type	A (mm)	B (mm)	C (mm)	t (mm)	Type
553336	Double	160	40	60	2	130531
553337	Single	80	40	60	2	130530
553338	Double	160	40	60	3	130531
553339	Single	80	40	60	3	130530

Single fixing bracket



Double fixing bracket



The performance characteristics of the soffit hanger brackets are tested in laboratory conditions for the worstcase scenario. The aim of the test is to determine the dead load capacity of the brackets and their fixings to the subframe under tension loads.

Summary of results from testing of soffit hanger brackets, Aluminium

Code	Type	Size (mm)	Thickness (mm)	Material	Base	Design Resistance (kN)
						Vertical (kN)
553336	Double	160x40x60	2	aluminium	concrete	1.96
553337	Single	80x40x60	2	aluminium	concrete	1.18
553338	Double	160x40x60	3	aluminium	concrete	3.61
553339	Single	80x40x60	3	aluminium	concrete	2.22

Standards & liability

Standards

General

EN 12020 (1÷2) - Aluminium and aluminium alloys - Extruded precision profiles in alloys EN AW-6060 and EN AW-6063

EN 755 (1÷9)- Aluminium and aluminium alloys - Extruded rod/bar, tube and profiles

EN 573 (1÷3) - Aluminium and aluminium alloys - Chemical composition and form of wrought products

EN 15088 - Aluminium and aluminium alloys - Structural products for construction works - Technical conditions for inspection and delivery

EN 1990 Eurocode - Basis of structural design

EN 1991 Eurocode 1 - Actions on structures

EN 1998 Eurocode 8 - Design of structures for earthquake resistance

EN 1999 Eurocode 9 - Design of aluminium structures

Ventilated façade systems

ETAG 034, part 1 - Kits for external wall claddings, Part I: Ventilated cladding kits comprising cladding components and associated fixings

ETAG 034, part 2 - Kits for external wall claddings, Part II: Cladding kits comprising cladding components, associated fixings, subframe and possible insulation layer

CWCT Standard for Systemized Building Envelopes

EN 13830 - Curtain walling - Product standard

EN ISO 6946 - Building components and building elements - Thermal resistance and thermal transmittance - Calculation method

EN ISO 10211 - Thermal bridges in building construction - Heat flows and surface temperatures - Detailed calculations EN

ISO 14683 - Thermal bridges in building construction - Linear thermal transmittance - Simplified methods and default values

EN 13116 - Curtain walling - Resistance to wind load - Performance requirements

EN 12179 - Curtain walling - Resistance to wind load - Test method

EN 14019 - Curtain Walling - Impact resistance - Performance requirements

EN ISO 10140 - Acoustics - Laboratory measurement of sound insulation of building elements

EN 20140 - Acoustics - Measurement of sound insulation in buildings and of building elements

EN ISO 717-1 - Acoustics - Rating of sound insulation in buildings and of building elements - Part 1: Airborne sound insulation

Liability

The stated data and calculating methods are provided by RJ Facades as a guideline only.

The information given in this catalogue does not substitute all applicable regulations – Eurocodes, harmonized European standard, national or regional building codes.

The specific conditions and technical details of every particular project have to be taken in consideration.

The right choice of all elements as well as any special requirements regarding stability of the structure must always be considered by the structural/façade engineer, responsible for the project.

The solution presented in these pages are indicative and cannot cover all possible project cases. Because of that every single project has to be evaluated by the structural/façade engineer in charge taking into consideration the specific features, such as climate conditions, location, orientation, etc.

RJ Facades is not liable for any calculation and conclusions made on the basis of the stated information. All calculations and specifications must be estimated, endorsed and guaranteed by architect, engineer, professional or legal entity authorized by law for such activities.

rjfacades.com

