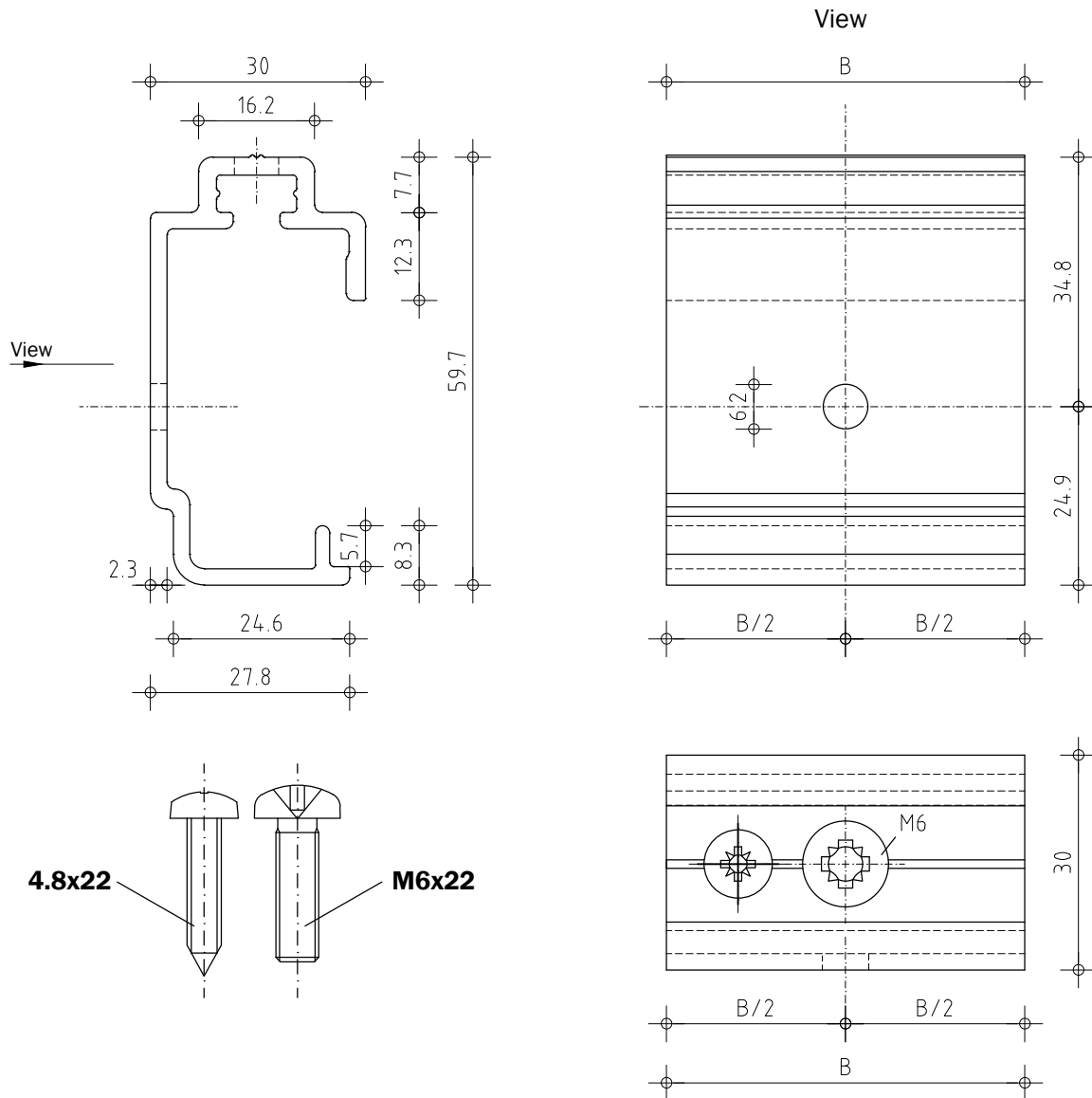




# Forte L, Aluminum

## Hanger Adjustable for Fixed Support

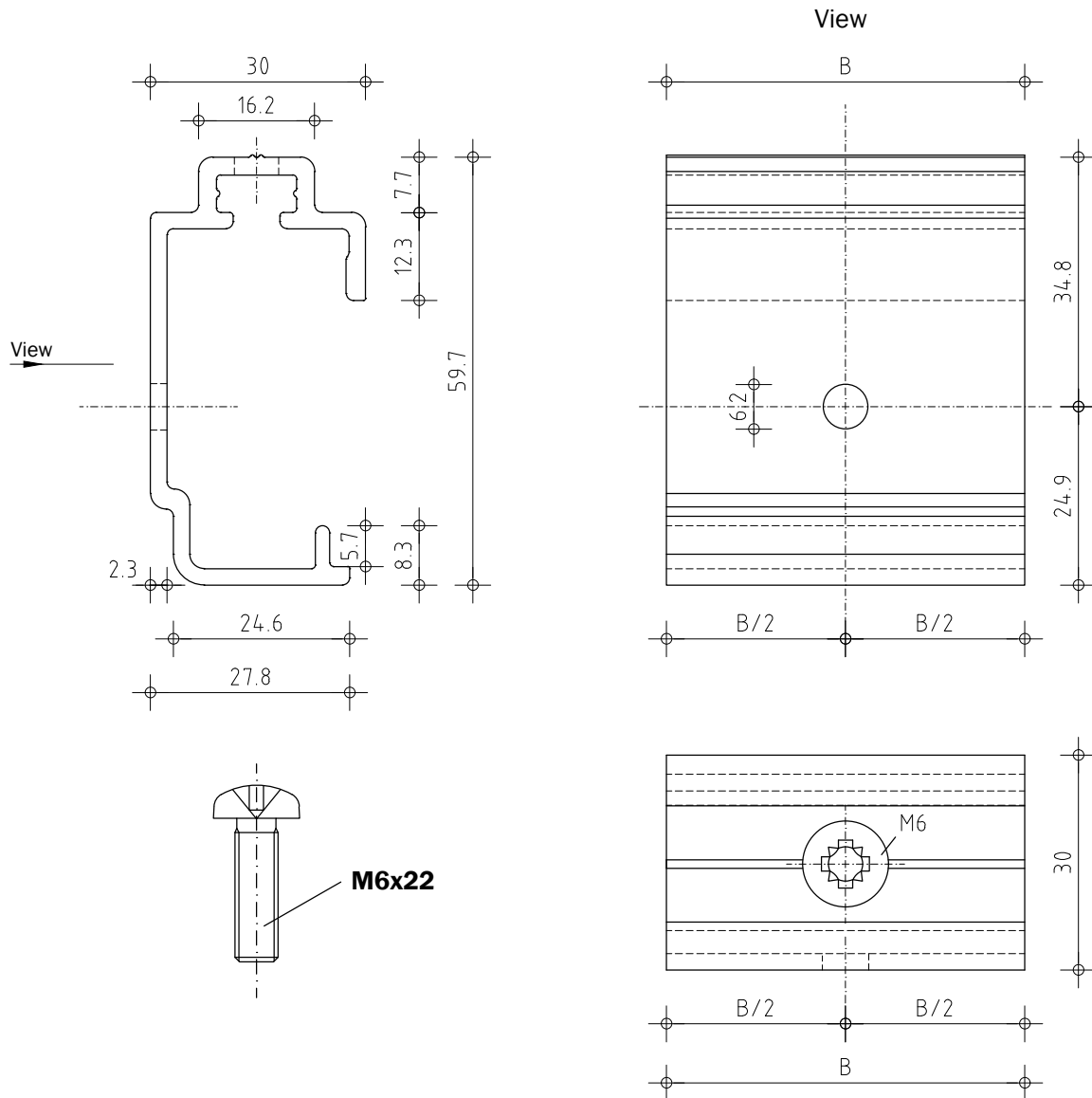


Application	hole type	B =
Fischer FZP/M6		60 mm
Fischer FZP/M8		



# Forte L, Aluminum

## Hanger Adjustable for Flexible Support

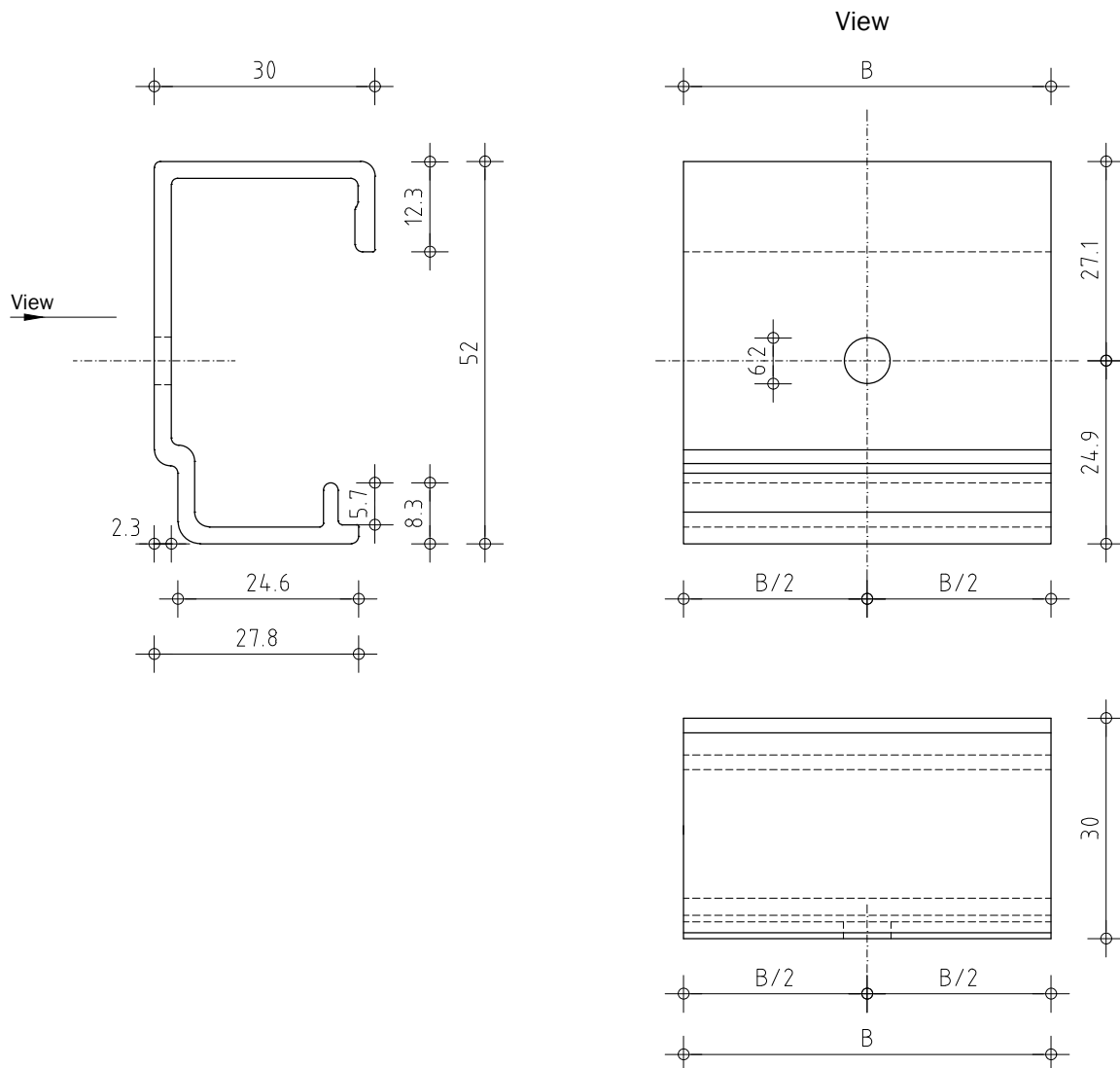


Application	hole type	B =
Fischer FZP/M6		60 mm
Fischer FZP/M8		



# Forte L, Aluminum

## Hanger for Flexible Support

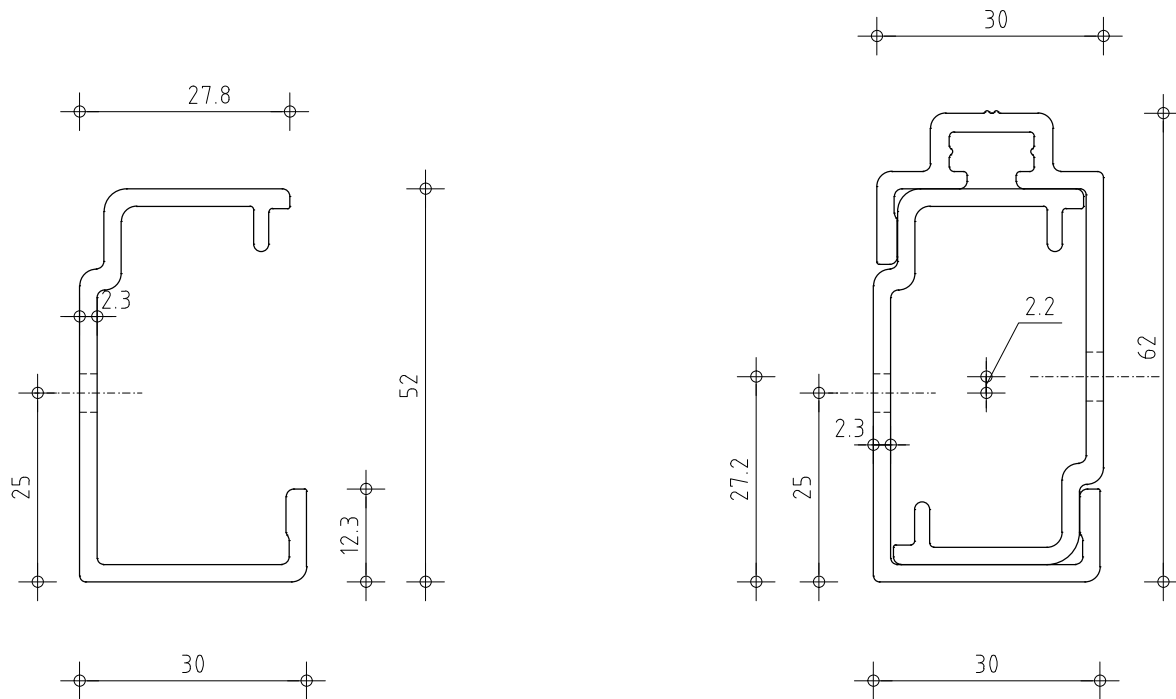


Application	hole type	B =
Fischer FZP/M6		60 mm
Fischer FZP/M8		



# Forte L, Aluminium

## Horizontal Support Profile



### Horizontal profile

