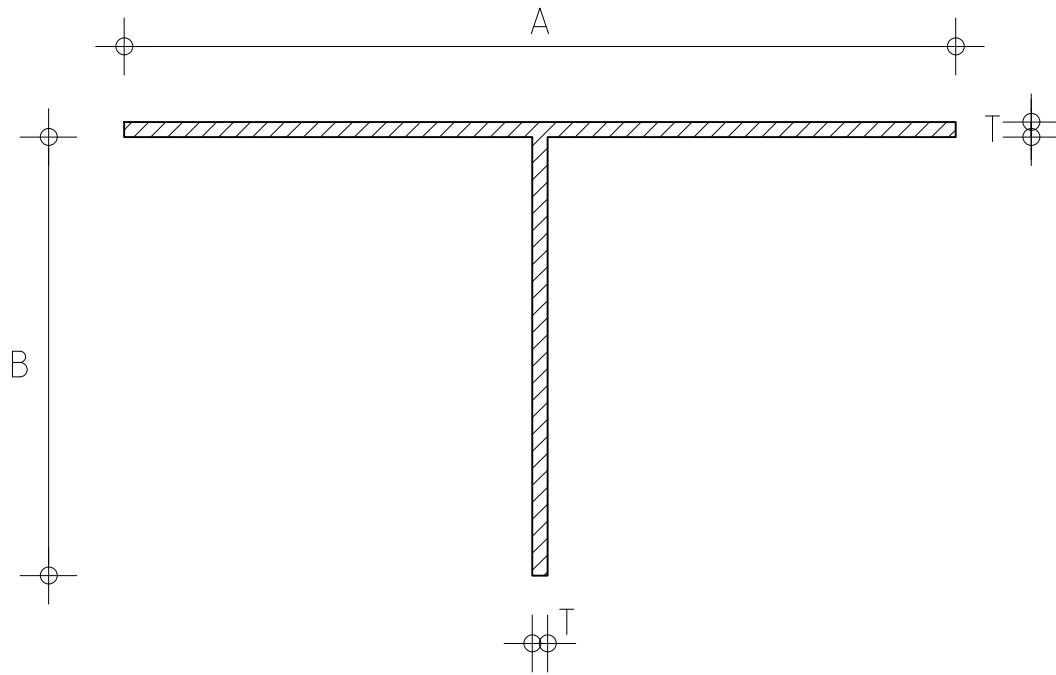




# EVT - T-Profiles, Aluminium

## Vertical Rails



A =	B =	T =
80mm	40mm	1.6mm
59mm	59mm	1.9mm
80mm	62mm	2mm
110mm	60mm	2mm
100mm	40mm	2mm
100mm	50mm	2mm
120mm	60mm	2.2mm
60mm	60mm	3mm
80mm	60mm	3mm
60mm	80mm	3.8mm
60mm	60mm	4mm

Item	Material
T-Profile	Aluminum - EN AW 6063 T6