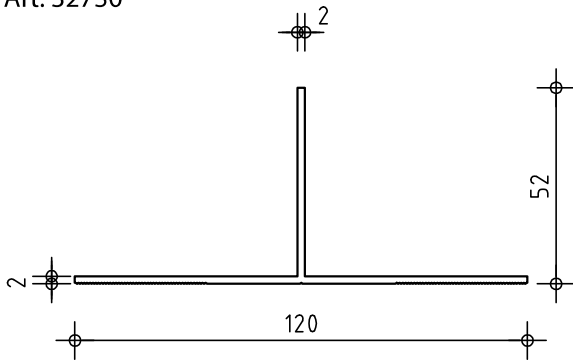
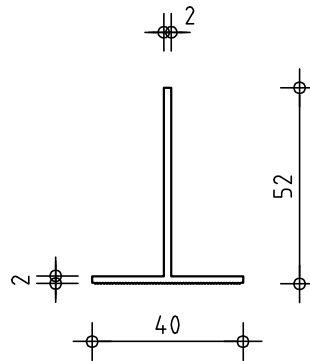


Support sections ATK 100 Minor

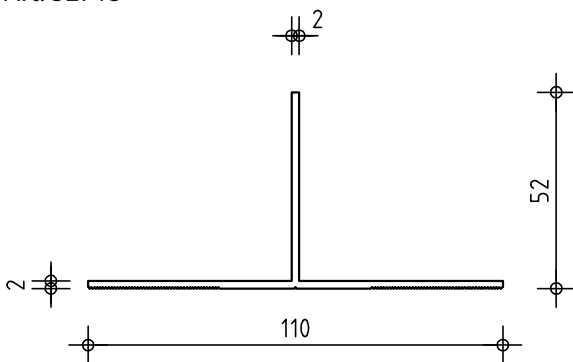
T120/ 52/ 2
Art. 32730



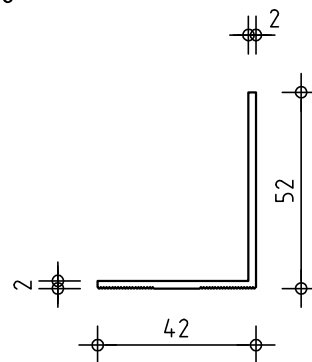
T40/ 52/ 2
Art. 32740



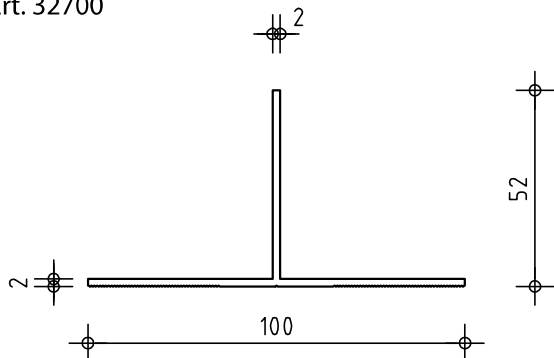
T110/ 52/ 2
Art. 32713



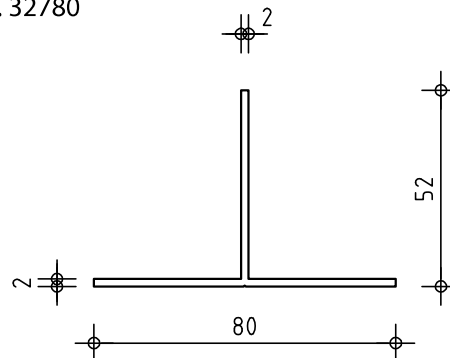
L42/ 52/ 2
Art. 32720



T100/ 52/ 2
Art. 32700

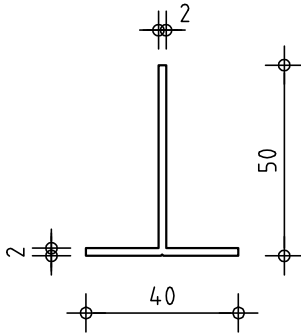


T80/ 52/ 2 (glatt)
Art. 32780

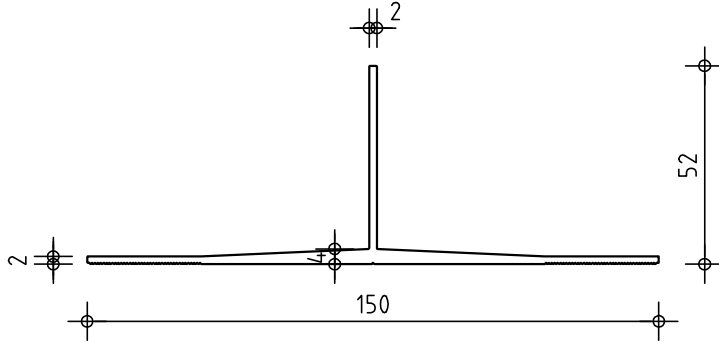


Support sections ATK 100 Minor

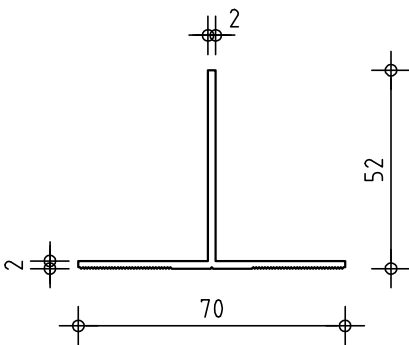
T40/ 50/ 2 (glatt)
Art. 62740



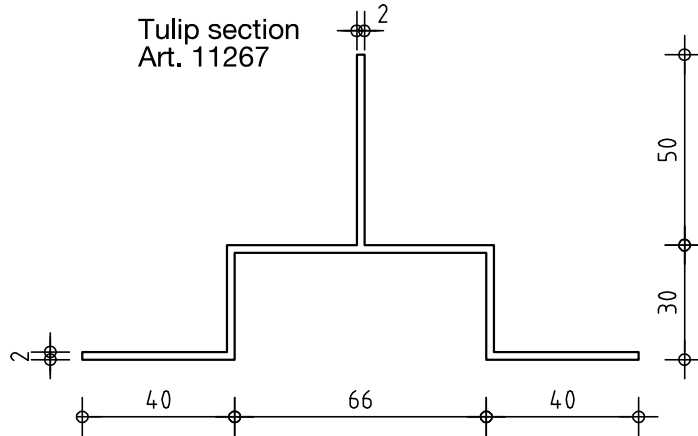
T150/ 52/ 2
Art. 32750



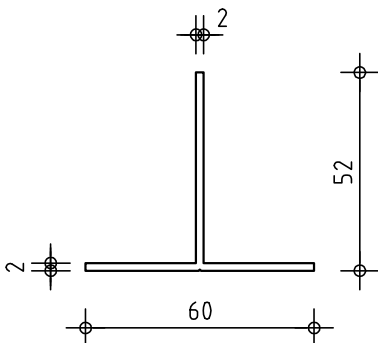
T70/ 52/ 2
Art. 32770



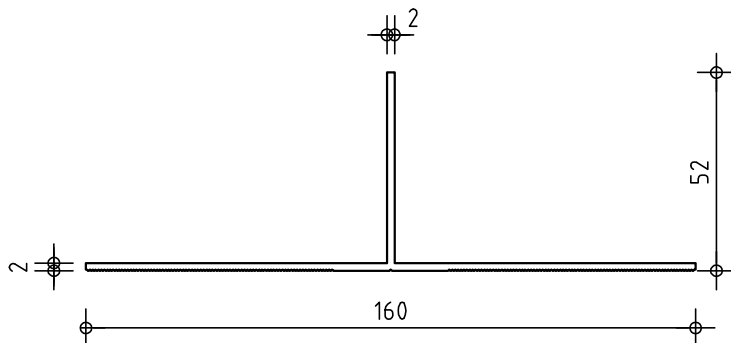
Tulip section
Art. 11267



T60/ 52/ 2 (glatt)
Art. 32710

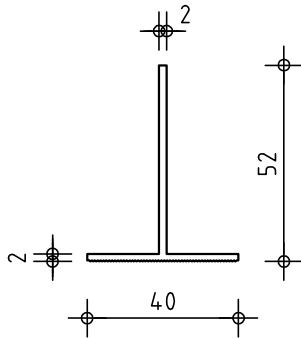


T160/ 52/ 2
Art. 32760

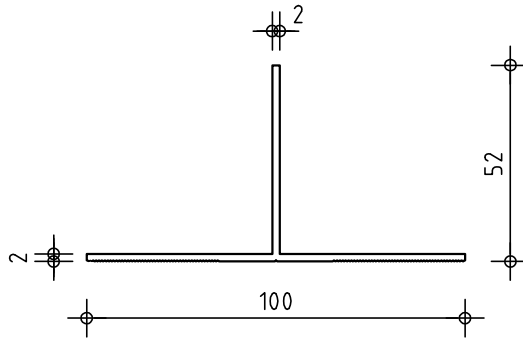


Support sections ATK 100 Minor - Black anodized

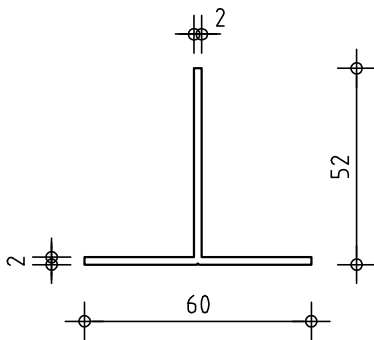
T40/ 52/ 2
Art. S632739



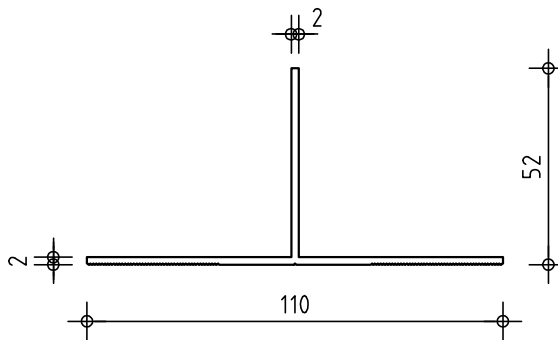
T100/ 52/ 2
Art. S632737



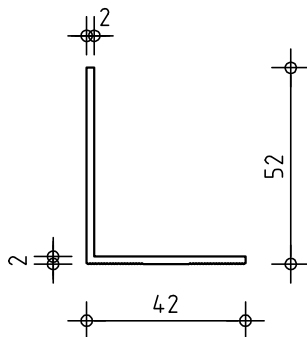
T60/ 52/ 2 (glatt)
Art. S632711



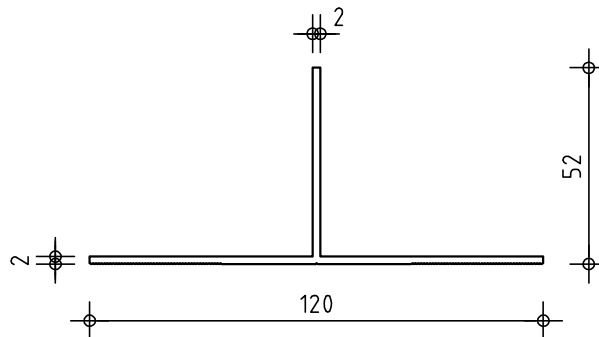
T110/ 52/ 2
Art. S632713



L42/ 52/ 2
Art. S632721

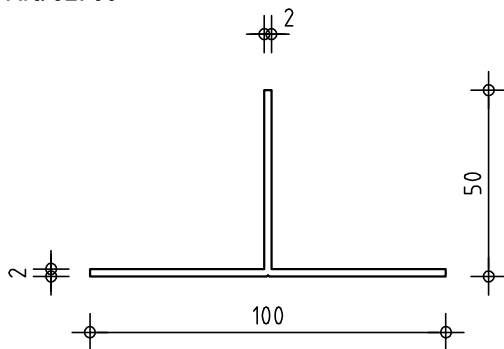


T120/ 52/ 2
Art. S632731

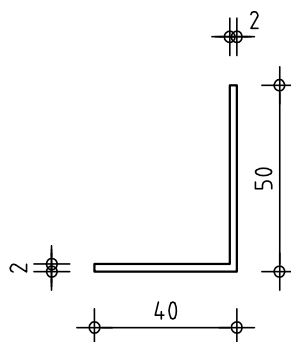


Support sections ATK 100 Minor

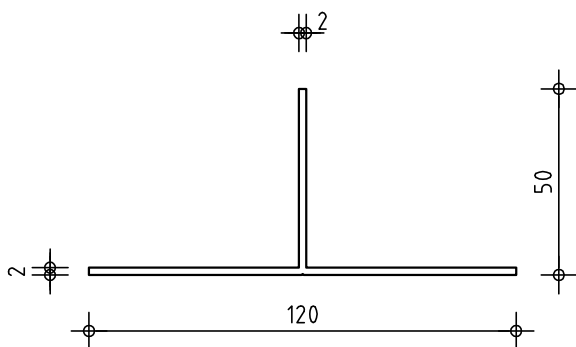
T100/ 50/ 2 (glatt)
Art. 62700



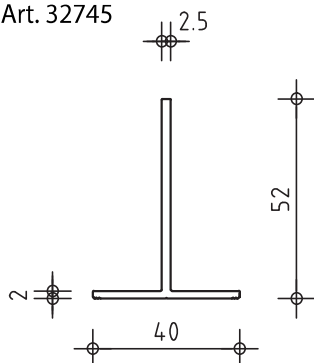
L40/ 50/ 2 (glatt)
Art. 62720



T120/ 50/ 2 (glatt)
Art. 62730



T40/ 52/ 2,5 (glatt)
Art. 32745



T120/ 52/ 2,5 (glatt)
Art. 32735

