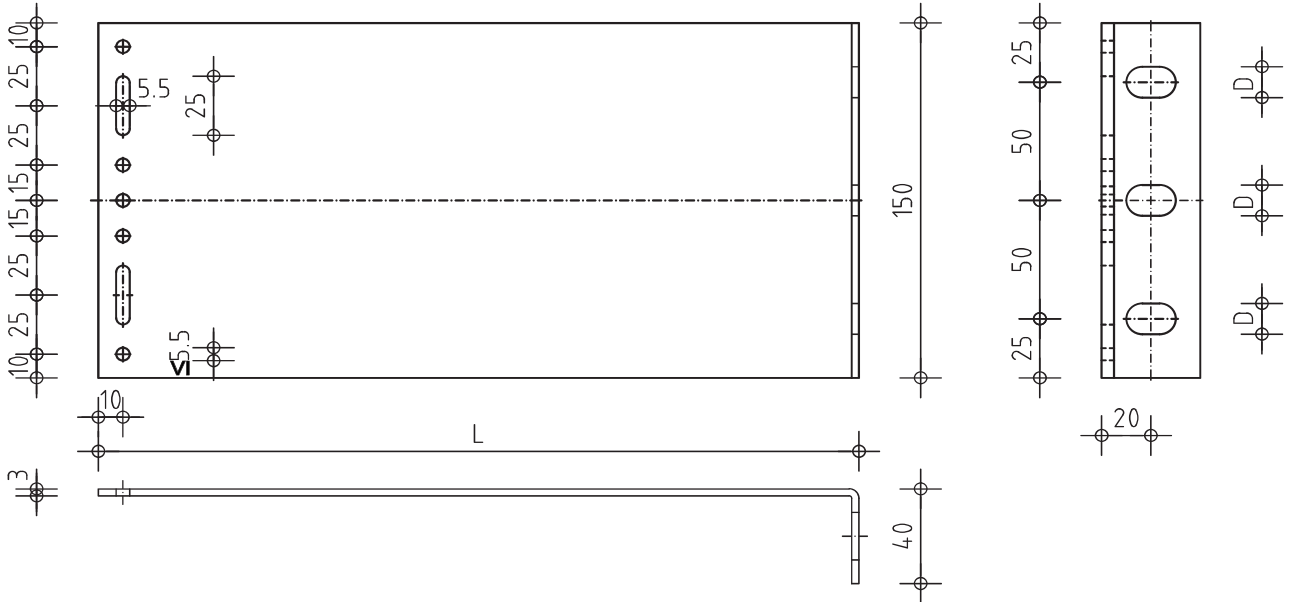
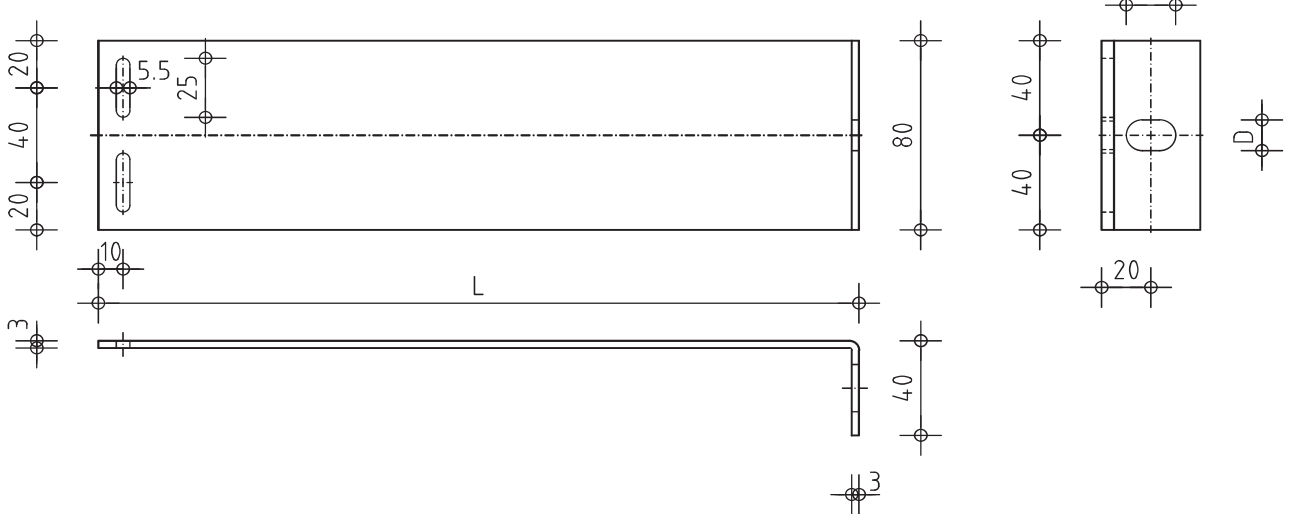


# L-Brackets - Stainless steel bended

Suitable for fixed and / or sliding points



Suitable for sliding points



L = all required lengths  
 t = 3 mm (other thickness on demand)  
 D = 11/ 15 mm (standard)

Other bracket dimensions, perforations: on demand

Internal-separation layer: on demand