



fischer Zykon-Panel Anchor FZP II-T

Product description

Undercut anchor for thin panel materials e. g. ceramic and fine stoneware, HPL, fibre cement and solid surface materials. Application with bracket systems or other attachment parts.

Advantages / benefits

- Anchoring not visible from front of facade
- Stress-free fixing
- Static optimised position of anchor
- Large panel sizes possible
- High load capability
- Optimised for long-life

Installation

Special drilling machines from fischer, are necessary for the drilling of the undercut hole. The anchor will be installed by a special fischer setting tool.

Approval



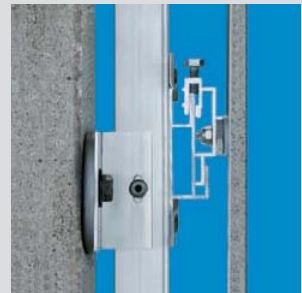
Application example

- **Anchor in panel**
FZP II-T, ceramic



- **Framework**

Facade panel with FZP II-T suspended on SystemOne light framework

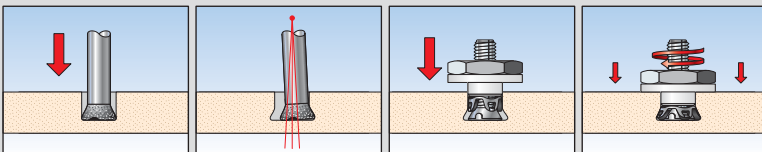


- **Ceramic facade**

installed with FZP II-T anchor for thin panel materials



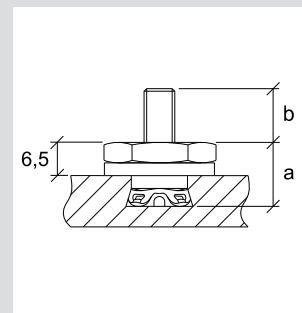
Drilling / anchor setting



Technical data

Type	Item	Installed anchor length mm a	Drill hole Ø mm	Colour code of shim washer	Anchorage depth mm	Thread diameter	Bolt projection length mm b	Box quantity pieces
FZP II 11x 6 M6/T/10 Al *	512 959	12,5	11	red	6	M6	10	250
FZP II 11x 7 M6/T/9 Al	512 960	13,5	11	grey	7	M6	9	250
FZP II 11x 8 M6/T/10 Al *	513 633	14,5	11	yellow	8	M6	10	250
FZP II 11x 9 M6/T/9 Al *	513 634	15,5	11	blue	9	M6	9	250
FZP II 11x 10 M6/T/15 Al	512 961	16,5	11	green	10	M6	14,5	250

* ETA-11/0465 (Royal Mosa Ceramic)



ACT Service

fischerwerke GmbH & Co. KG

Weinhalde 14-18 · D-72178 Waldachtal

Phone +49 (0)74 43 12-45 53 · Fax +49 (0)74 43 12-49 07

act@fischer.de · www.fischer.de