

Application Drawing Tergo+ Anchors into Eternit EQUITONE Façade panels

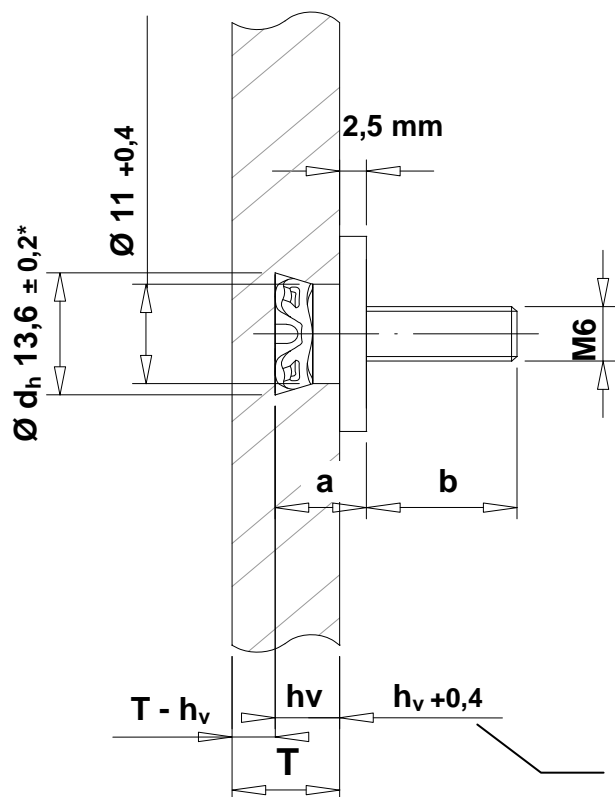
Panel Thickness/ Tolerances: 8 and 12mm
 fischer type of fixing: Tergo+ 11xhv M6/T/ **b** PA
 Approval no. Z-21.9-2050 EQUITONE [tectiva] und [linea]
 Z-21.9-2051 EQUITONE [natura], [pictura], [textura]

Panel-Thickness T	Embedment depth h _v	Installed anchor length a	Bolt projection length b	Anchor designation	Item No.	Colour code of shim washer
≥8	6	8,5	10	Tergo+ 11X6 M6/T/10 PA	532 641	red
≥8	6	8,5	13	Tergo+ 11X6 M6/T/13 PA	532 642	red
≥12	8	10,5	10	Tergo+ 11X8 M6/T/10 PA	537 974	yellow
≥12	8	10,5	13	Tergo+ 11X8 M6/T/13 PA	537 975	yellow

All measures in millimetre

The following measurements are recommended for an optimized installation

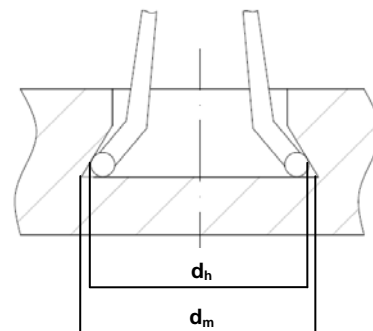
Ideal measures of drill hole



Adjustment measures

Embedment depth h _v	Drill hole depth	Cylindrical drill hole Ø	Undercut drill hole Ø * d _h
6	6,2	11,2	13,6 *
8	8,2	11,2	13,6 *

All measures in millimetre



$$d_h^* \neq d_m^{**}$$

* to be measured with dial gauge
type: STU 10-30 item 61083

** measure not relevant for application

The measurement of the drill holes has to be done in accordance to the official „Tergo+ Drill Hole and Anchor Installation Test Instructions”.