

## fischer Zykon-Panel Anchor FZP-II-VS

### Product description

Undercut anchor for natural stone from 2 cm panel thickness. Application with keyhole-type bracket or other „keyhole-type constructions“.

### Advantages / benefits

- Stress-free fixing in natural stone
- Anchoring not visible from front of facade
- Static optimised position of anchor
- Higher collapse loads than traditional systems
- Compensating panel thickness tolerances by constant remaining wall thickness



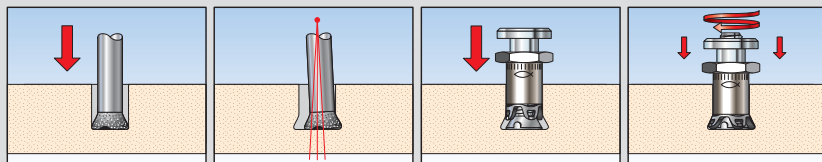
### Installation

Special drilling machines from fischer, are necessary for the drilling of the undercut hole. The anchor will be installed by a special fischer setting tool.

### Approval



### Drilling / anchor setting



### Technical data

| Type                      | Item           | Installed anchor length mm <b>a</b> | Drill hole-Ø mm | Anchorage depth mm | Thread diameter | Bolt projection length mm <b>b</b> | Box quantity pieces |
|---------------------------|----------------|-------------------------------------|-----------------|--------------------|-----------------|------------------------------------|---------------------|
| FZP-II 11x21 M6/VS/4 AL * | <b>512 147</b> | 21                                  | 11              | 12-16              | M6              | 4,5                                | 250                 |
| FZP-II 13x26 M8/VS/4 AL * | <b>512 148</b> | 26                                  | 13              | 15-21              | M8              | 4,5                                | 250                 |
| FZP-II 13x30 M8/VS/4 AL * | <b>512 149</b> | 30                                  | 13              | 15-25              | M8              | 4,5                                | 250                 |

\* approval ETA-11/0145 (without VS-nut)

### Application example

■ **Anchor in panel**  
FZP-II-VS, granite



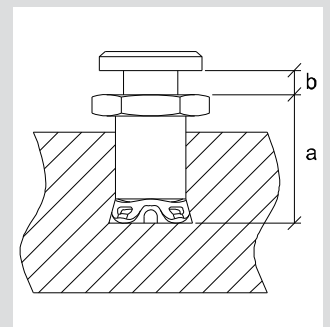
■ **Framework**

Facade panel with FZP-II-VS suspended on SystemOne framework keyhole-type bracket



■ **Natural stone facade**

Concorde hotel Berlin with FZP-II-VS and SystemOne keyhole-type bracket



### ACT Service

fischerwerke GmbH & Co. KG

Werk Altheim · Hindenburgstr. 81 · D-72160 Horb

Phone +49 (0)74 43 12-45 53 · Fax +49 (0)74 43 12-49 07

act@fischer.de · www.fischer.de